

# Lafferty Equipment Manufacturing, LLC Installation & Operation Instructions

Model # 969402 · A-40 SS Airless Foam Wand W/ Fan Nozzle

## REQUIREMENTS

Water Temperature	up to 180°F
Pressure Washer	Must have factory equipped chemical injector that operates properly using a black soap nozzle
Discharge Hose	3/8" ID minimum

## OPTIONS

Pressure Washer Hose & Trigger Gun	
HP 3/8" x 50' Hose & Trigger Gun Kit	# 807069
Wand & Fan Nozzle Without QD Plug	
A-40 SS Wand W/ Fan Nozzle (1/4" NPT Inlet)	# 536741



[www.laffertyequipment.com](http://www.laffertyequipment.com)

501-851-2820

**WARNING! READ ALL  
INSTRUCTIONS BEFORE  
USING EQUIPMENT!**



## OVERVIEW

Designed to replace the black soap nozzle on pressure washers that use a factory chemical injector. The A-40 Airless Foam Wand quick connects to a pressure washer gun and injects atmospheric air into the chemical solution to greatly increase volume and coverage ability. This stainless steel unit will create and project wet, clinging foam on to any surface in a fan pattern or zero degree stream for increased foam throw distance. Foam wands are also used for softwash applications with a low pressure pump.

## SAFETY & OPERATIONAL PRECAUTIONS

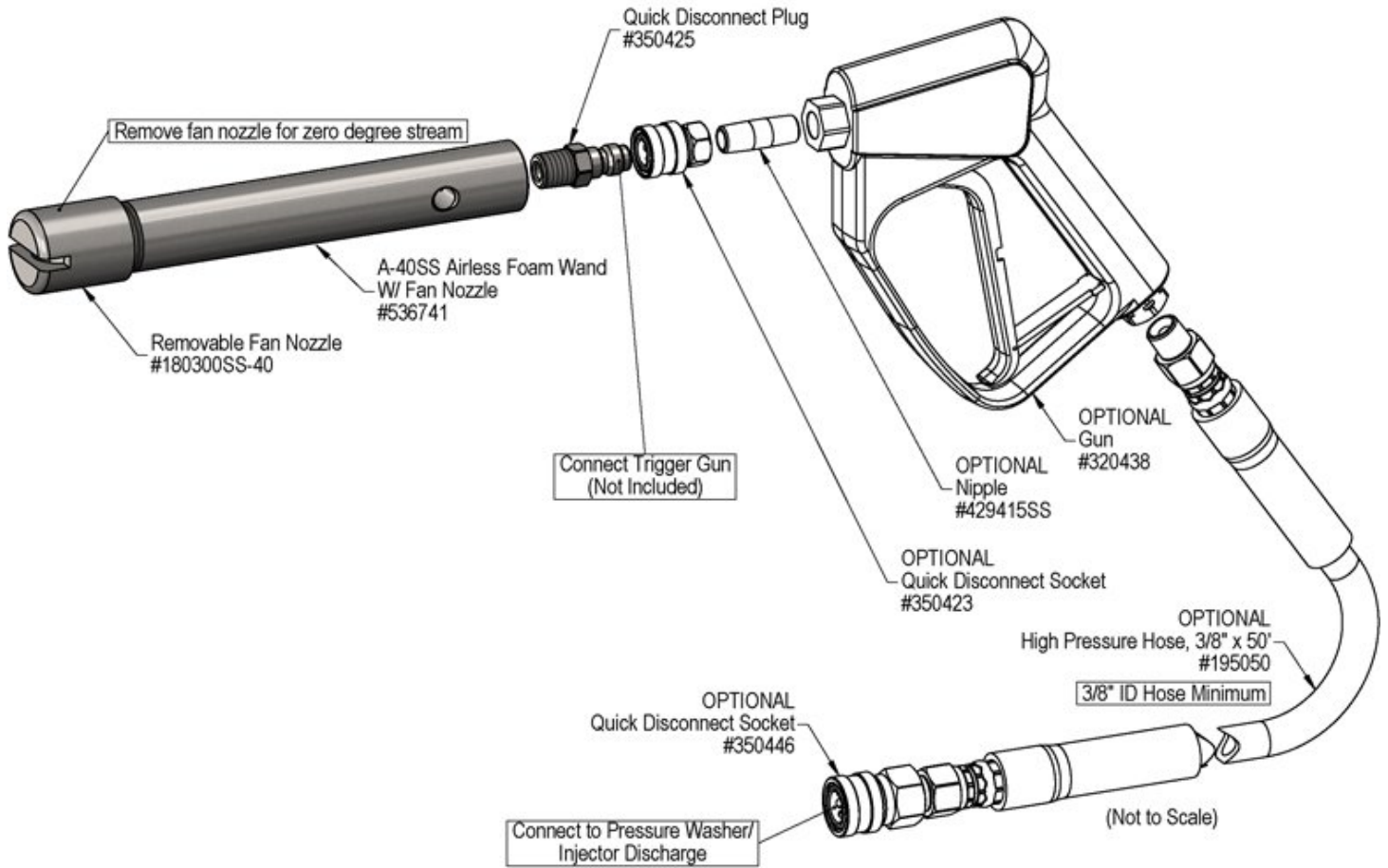
- For proper performance do NOT modify, substitute nozzle, hose diameter or length.
- Manufacturer assumes no liability for the use or misuse of this unit.
- Wear protective clothing, gloves and eye wear when working with chemicals.
- Always direct the discharge away from people and electrical devices.
- Follow the chemical manufacturer's safe handling instructions.

## TO INSTALL (REFER TO DIAGRAM ON NEXT PAGE)

1. Remove the rinse nozzle and quick connect the airless foamer to your trigger gun. (1/4" quick connect).

## TO OPERATE

1. Remove the rinse nozzle and quick connect the foam wand to your trigger gun as shown in the diagram. If your trigger gun doesn't have quick disconnects you will have to install them.
2. Hold the trigger gun firmly and direct the discharge in a safe direction. Pull the trigger and begin foam application. (Ensure chemical is designed for foaming)



## Troubleshooting Guide

Problem	Possible Cause / Solution	
	Startup	Maintenance
A) Does not foam properly	1, 2, 3, 4	6
B) Using too much chemical	5	6

Possible Cause / Solution	
Startup	Maintenance
<ol style="list-style-type: none"> <li><b>1. GPM too low</b> <ul style="list-style-type: none"> <li>◦ See requirements.</li> </ul> </li> <li><b>2. Wand solution inlet clogged</b> <ul style="list-style-type: none"> <li>◦ Clean the wand solution inlet. DO NOT DRILL OUT</li> </ul> </li> <li><b>3. Ensure chemical is recommended for foaming and/or the application</b> <ul style="list-style-type: none"> <li>◦ See chemical manufacturer.</li> </ul> </li> <li><b>4. Dilution too weak / Chemical is very thick.</b> <ul style="list-style-type: none"> <li>◦ Adjust injector at the pressure washer/pump</li> </ul> </li> <li><b>5. Dilution too strong</b> <ul style="list-style-type: none"> <li>◦ Adjust injector at the pressure washer/pump</li> </ul> </li> </ol>	<ol style="list-style-type: none"> <li><b>6. Chemical injector at the pressure washer may be malfunctioning</b> <ul style="list-style-type: none"> <li>◦ Consult pressure washer manual</li> </ul> </li> </ol>

**PREVENTIVE MAINTENANCE:** When the unit will be out of service for extended periods, place chemical tube(s) in water and flush the chemical out of the unit to help prevent chemical from drying out and causing build-up. Periodically check and clean chemical strainer and replace if missing.

