

Lafferty Equipment Manufacturing, LLC Installation & Operation Instructions

Model # 919010 · City Pressure Rinse Station

REQUIREMENTS

Water	
Temperature	up to 180°F
Pressure	35 to 125 PSI
Flow	7.2 GPM @ 40 PSI
Supply Line	3/4"
Hose	3/4" ID x 50'
Nozzle	4 Hole Rinse Nozzle

OPTIONS

Stainless Steel Hose Racks	
Large Stainless Steel Hose Rack	# 224150



www.laffertyequipment.com

501-851-2820

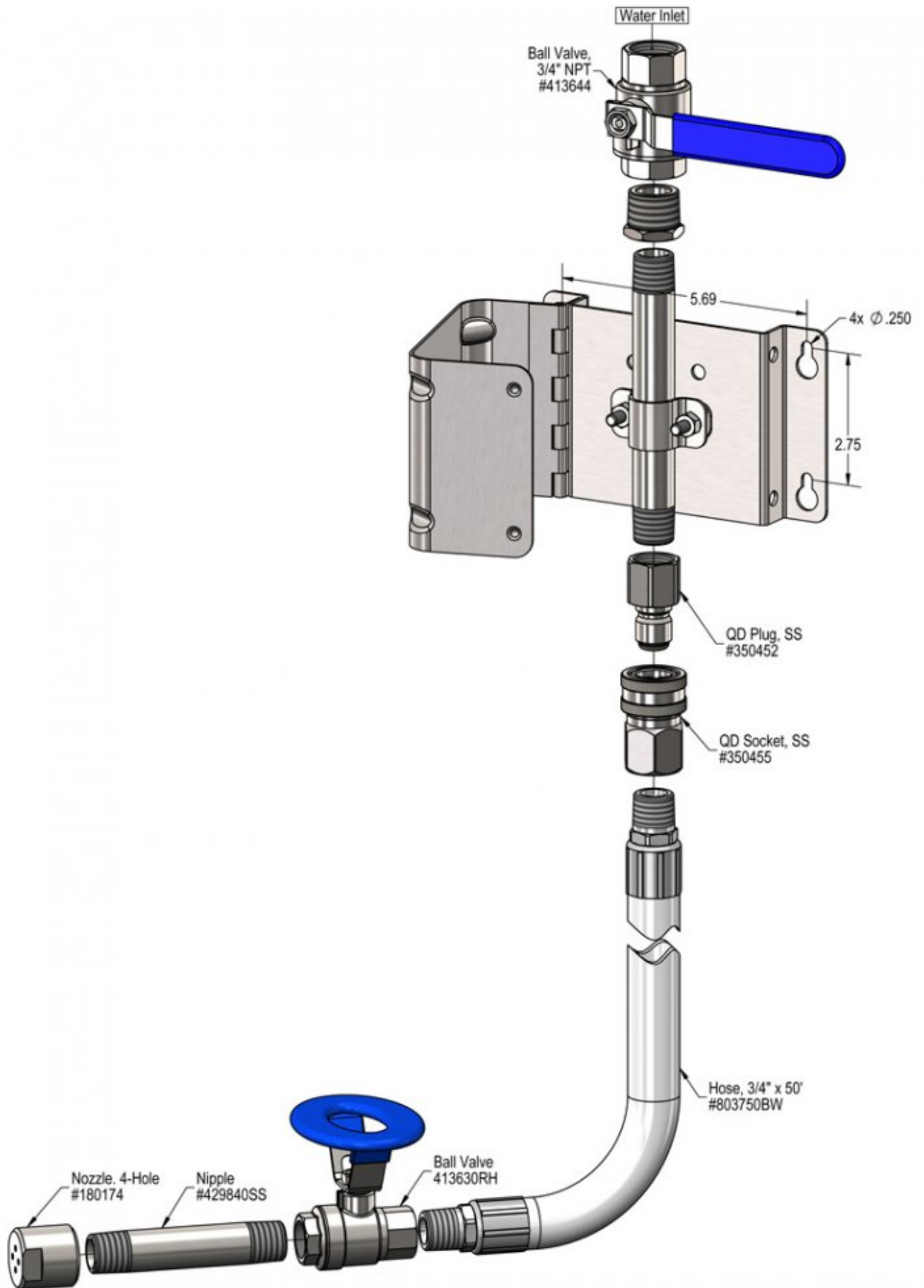
**WARNING! READ ALL
INSTRUCTIONS BEFORE
USING EQUIPMENT!**



OVERVIEW

The City Pressure Rinse Station is designed for both pre-clean and post-clean rinsing of a variety of surfaces in and around food and beverage plants that utilize city water pressure. Constructed with stainless steel components, this Rinse Station connects to 35-125 PSI water and projects it through the unique and powerful 4 hole nozzle.

UNIT FLOW RATES	
PSI	GPM
35	6.73
40	7.20
50	8.05
60	8.82
70	9.52
80	10.18
90	10.80
100	11.38
110	11.94
120	12.47
125	12.73



This page intentionally left blank.

