

Lafferty Equipment Manufacturing, LLC Installation & Operation Instructions

Model # 224214 · Jug Rack, SS, 5 Gallon, Round/Square (Locking)



Lafferty
EQUIPMENT MANUFACTURING LLC
 **CFS** TECHNOLOGIES

www.laffertyequipment.com

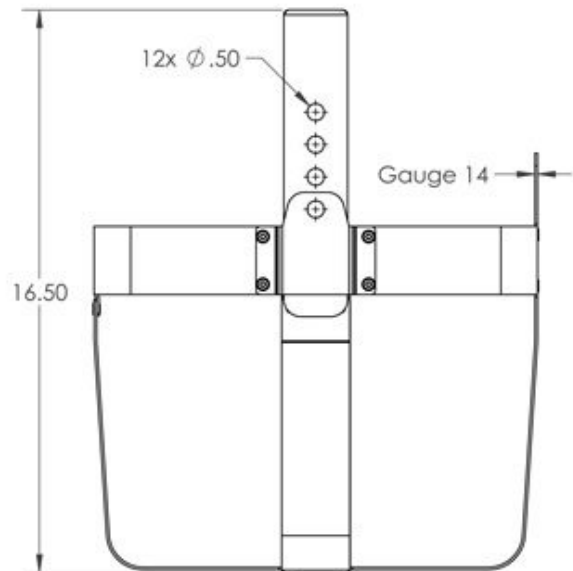
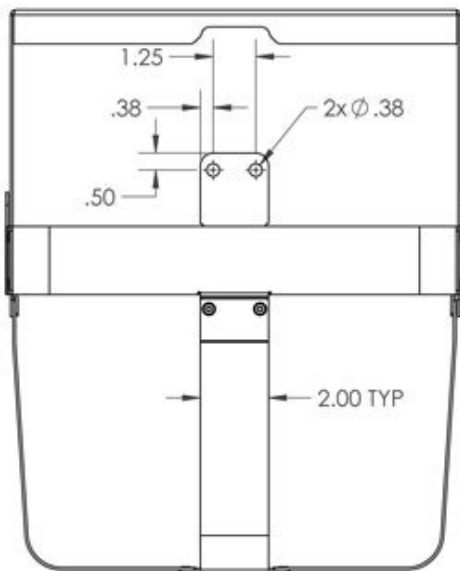
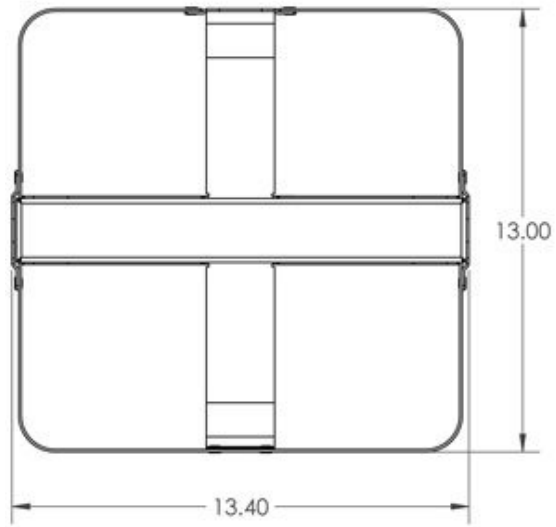
501-851-2820

**WARNING! READ ALL
INSTRUCTIONS BEFORE
USING EQUIPMENT!**



OVERVIEW

Chemical management made simpler, neater, cleaner and safer - Lafferty. In addition to supplying spare parts for all Lafferty equipment, Lafferty offers many convenient accessories to complement its wide range of chemical application equipment.



PREVENTIVE MAINTENANCE: When the unit will be out of service for extended periods, place chemical tube(s) in water and flush the chemical out of the unit to help prevent chemical from drying out and causing build-up. Periodically check and clean chemical strainer and replace if missing.

