

Lafferty Equipment Manufacturing, LLC Installation & Operation Instructions

Model # 224145 · Small Stainless Steel Hose Rack

HOSE CARRYING CAPACITY

Rack can be used with any size hose. Estimated capacity is for hose compactly coiled.

3/4" ID up to 50 feet



www.laffertyequipment.com

501-851-2820

**WARNING! READ ALL
INSTRUCTIONS BEFORE
USING EQUIPMENT!**

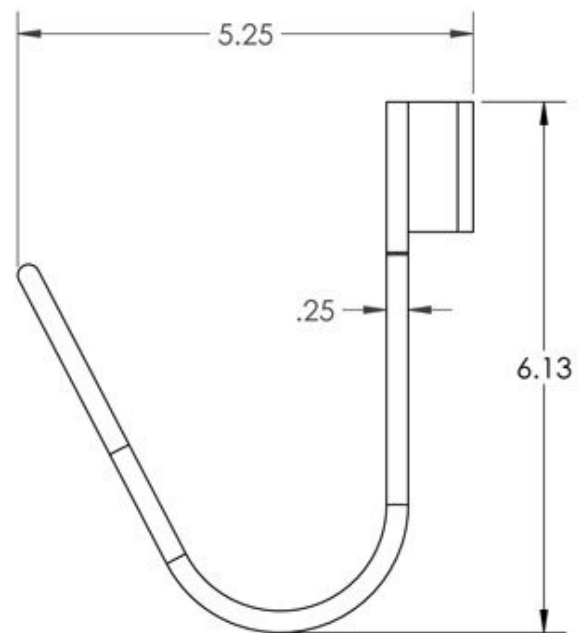
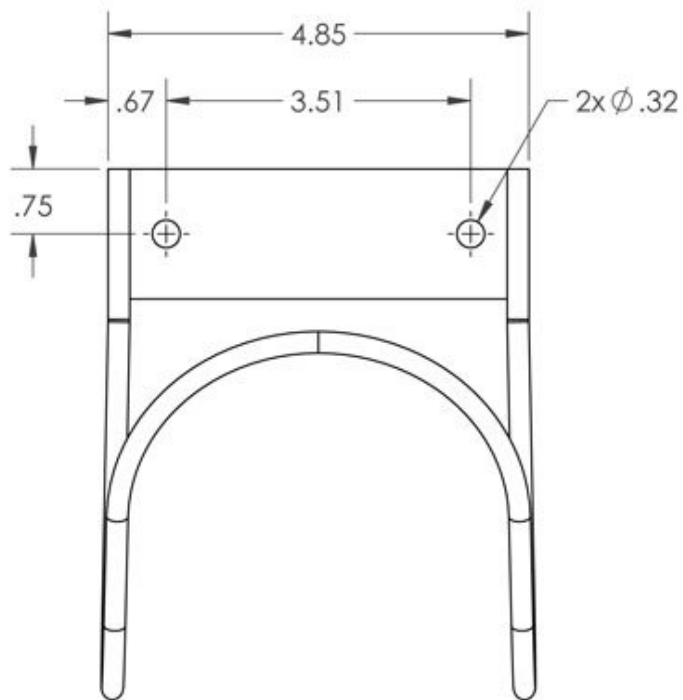
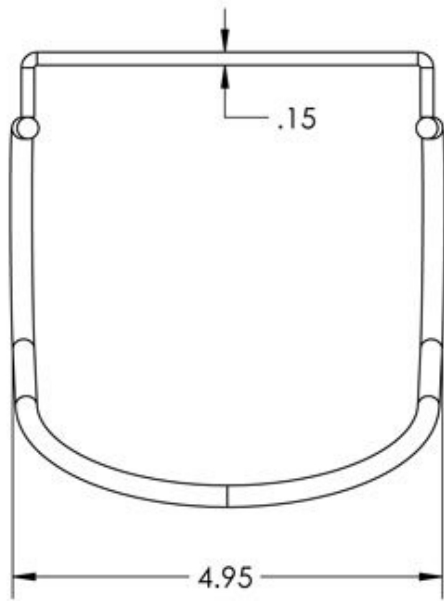


OVERVIEW

Chemical management made simpler, neater, cleaner and safer - Lafferty. In addition to supplying spare parts for all Lafferty equipment, Lafferty offers many convenient accessories to complement its wide range of chemical application equipment.

SAFETY & OPERATIONAL PRECAUTIONS

This page intentionally left blank.



This page intentionally left blank.

