

Lafferty Equipment Manufacturing, LLC Installation & Operation Instructions

Model # VC-1200 · 3/8" W-20SS Injector Kit W/ QDs

REQUIREMENTS

Water Temperature	up to 180°F
Pressure Washer	3.5 - 5.5 GPM
Discharge Hose	3/8" ID minimum Up to 200' length

OPTIONS

Stainless Steel Hose Racks	
Large Stainless Steel Hose Rack	# 224150
Compatible Foam Wands	
A-20 SS Airless Foam Wand W/ QD Plug	# 969390
A-20 SS Airless Foam Wand W/ Trigger Gun	# VC-1100
Pressure Washer Hose & Trigger Gun	
HP 3/8" x 50' Hose & Trigger Gun Kit	# 807069
Safe Flow Lid™ for 1 Gallon Jugs	
Lid, Suction Tube, and Strainer	# 709101



Lafferty
EQUIPMENT MANUFACTURING LLC
CFS TECHNOLOGIES

www.laffertyequipment.com
501-851-2820

**WARNING! READ ALL
INSTRUCTIONS BEFORE
USING EQUIPMENT!**



OVERVIEW

Designed for 3.5–5.5 GPM pressure washers, the W-20SS quick-connect chemical injector attaches to a pressure washer outlet or installs in-line between hoses. This venturi unit draws and blends chemical concentrate into the water stream to create an accurately diluted solution. The solution then flows through the hose to the gun, where the user must connect a compatible A-20SS Airless Foam Wand or spray nozzle. *Foam wand not included, see options.*

SAFETY & OPERATIONAL PRECAUTIONS

- For proper performance do NOT modify, substitute nozzle, hose diameter or length.
- Manufacturer assumes no liability for the use or misuse of this unit.
- Wear protective clothing, gloves and eye wear when working with chemicals.
- Always direct the discharge away from people and electrical devices.
- Follow the chemical manufacturer's safe handling instructions.

TO INSTALL (REFER TO DIAGRAM ON NEXT PAGE)

1. Determine which way the quick disconnects will be used on your particular washer and install the quick disconnects to the injector body. **Make sure to hook up in the right direction. Do NOT hook up backwards!**
2. Quick disconnect the hose from PW and quick couple the injector to the fitting; reconnect the discharge hose to the discharge of the injector.

Set the chemical dilution ratio by threading one of the color coded metering tips into each chemical check valve. See chemical labels for dilution ratio recommendation or consult your chemical supplier.

- For the strongest dilution ratio do NOT install a colored metering tip.
- The dilution ratios in the metering tip chart are based on water thin chemicals with a viscosity of 1CPS.
- Thicker chemicals will require a larger tip than the ratios shown in the chart.
- Application results will ultimately determine final tip color.
- Select the tip color that is closest to your desired chemical strength and thread it into the tip holder. **DO NOT OVER-TIGHTEN.**
- Push the chemical tube over the check valve barb and place the suction tube in the chemical concentrate.
- If necessary, cut suction tube(s) to length before attaching suction strainer.

TO OPERATE

TO FOAM

1. Two nozzles are included with the foam wand: The fan nozzle provides a wide pattern for faster coverage. The 0° nozzle provides increased foam throw distance. Install the preferred nozzle.
2. Remove the rinse nozzle and quick connect the foam wand to your trigger gun as shown in the diagram. If your trigger gun doesn't have quick disconnects you will have to install them.
3. Hold the trigger gun firmly and direct the discharge in a safe direction. Pull the trigger and begin application.
4. Make final metering tip adjustments based on application results. Try the next larger sized metering tip until the results are acceptable.

TO SPRAY

1. Quick connect the spray nozzle to your trigger gun as shown in the diagram.
2. Hold the trigger gun firmly and direct the discharge in a safe direction. Pull the trigger and begin application.

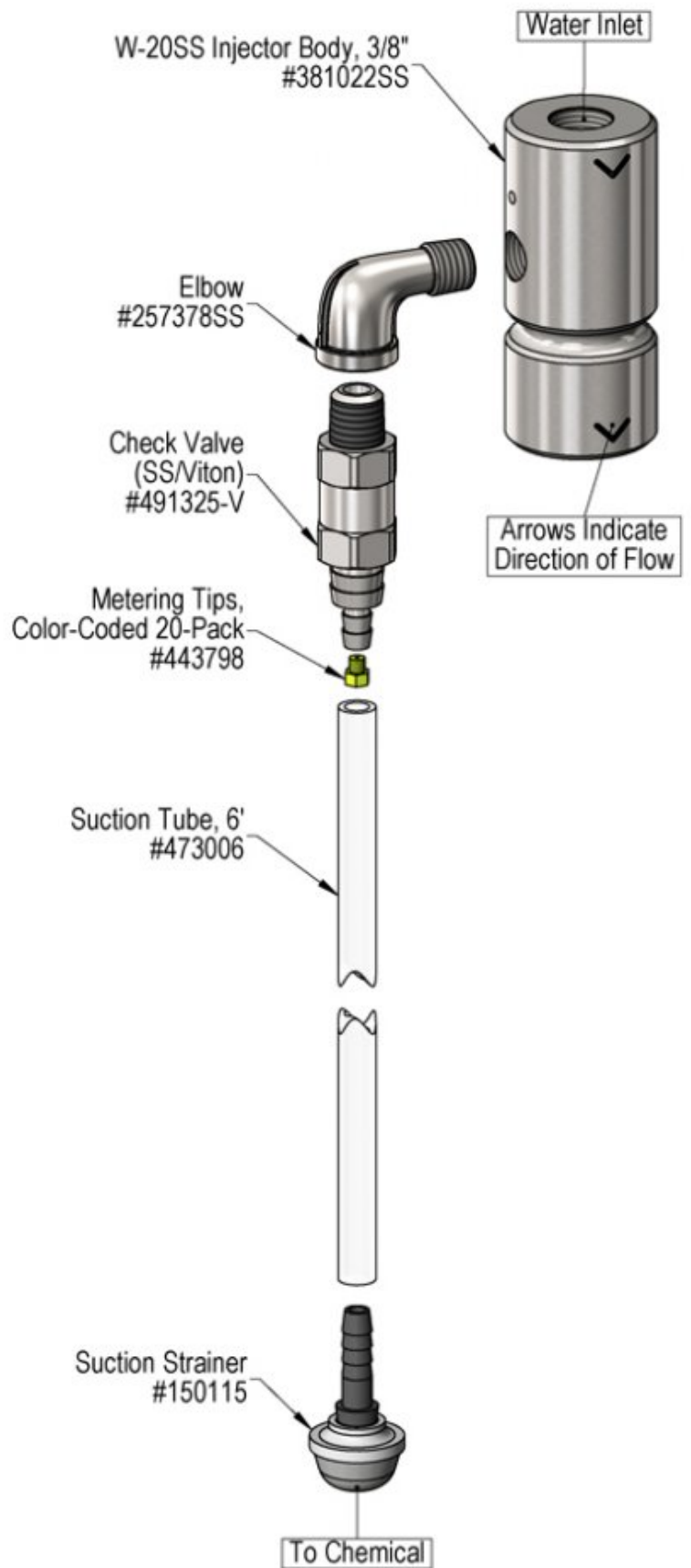
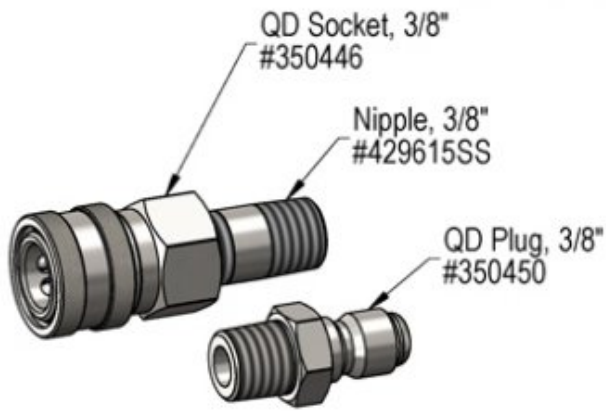
TO RINSE

1. When foaming or spraying is completed, release the trigger.
2. Replace the airless foamer or spray nozzle with the rinse nozzle. Remove injector from pressure washer and replace hose.
3. Rinse the work surface as you normally would and rinse before the chemical dries.
4. If the foamer /sprayer will not be used for a period of time it is BEST to draw fresh water through the pick up tube to prevent chemical from drying inside the components.

METERING TIP SELECTION

METERING TIP COLOR	DILUTION RATIO AT GPM				
	3.5	4.0	4.5	5.0	5.5
Brown	800:1	914:1	1029:1	1143:1	1257:1
Clear	509:1	582:1	655:1	727:1	800:1
Bright Purple	325:1	371:1	417:1	464:1	510:1
White	208:1	238:1	268:1	298:1	327:1
Pink	153:1	175:1	197:1	218:1	240:1
Corn Yellow	117:1	133:1	150:1	167:1	183:1
Dark Green	92:1	105:1	118:1	131:1	144:1
Orange	78:1	89:1	100:1	111:1	122:1
Gray	75:1	85:1	96:1	106:1	117:1
Light Green	64:1	73:1	82:1	91:1	100:1
Med. Green	56:1	64:1	71:1	79:1	87:1
Clear Pink	48:1	54:1	61:1	68:1	75:1
Yellow Green	39:1	45:1	50:1	56:1	61:1
Burgundy	38:1	43:1	48:1	54:1	59:1
Pale Pink	32:1	37:1	42:1	46:1	51:1
Light Blue	30:1	34:1	38:1	42:1	46:1
Dark Purple	25:1	29:1	32:1	36:1	39:1
Navy Blue	18:1	20:1	23:1	25:1	28:1
Clear Aqua	16:1	18:1	20:1	22:1	25:1
Black	9:1	10:1	12:1	13:1	14:1
No Tip Ratio Up To:	6:1	7:1	8:1	9:1	10:1

The dilution ratios above are approximate values. Due to chemical viscosity, actual dilution ratios may vary.



Foam Wand Ordered Separately

Troubleshooting Guide

Problem	Possible Cause / Solution	
	Startup	Maintenance
A) Unit will not draw chemical.	1, 2, 3, 7	8, 9, 10, 11, 12, 13
B) Does not foam properly	1, 4, 5, 7	8, 9, 11, 12
C) Using too much chemical	6	

Possible Cause / Solution	
Startup	Maintenance
<ol style="list-style-type: none"> 1. Water volume too low <ul style="list-style-type: none"> ◦ See requirements. 2. Water inlet clogged <ul style="list-style-type: none"> ◦ Clean the water inlet. DO NOT DRILL OUT 3. Hose size too small <ul style="list-style-type: none"> ◦ MUST be 3/8" ID hose, minimum 4. Ensure chemical is recommended for foaming and/or the application <ul style="list-style-type: none"> ◦ Refer to chemical manufacturer. 5. Dilution too weak / Chemical is very thick. <ul style="list-style-type: none"> ◦ Install larger metering tip or remove metering tip. 6. Dilution too strong / No metering tip installed or wrong metering tip installed <ul style="list-style-type: none"> ◦ Install a metering tip or install a smaller metering tip ◦ If the exact dilution ratio cannot be achieved with metering tips, pre-dilute the chemical with water before drawing it into the injector for final dilution and application 7. Hose too long <ul style="list-style-type: none"> ◦ Use a shorter discharge hose to alleviate back pressure on the injector ◦ The allowable length of hose varies based on individual pressure washers and equipment setups. 200' max recommended hose length between injector and nozzle. Longer hose could affect dilution ratios. 	<ol style="list-style-type: none"> 8. Chemical check valve stuck, clogged, loose or failed <ul style="list-style-type: none"> ◦ Clean, tighten or rebuild. 9. Chemical strainer or metering tip blocked <ul style="list-style-type: none"> ◦ Clean or replace chemical strainer and/or metering tip. 10. Chemical tube stretched out where tube slides over check valve or pin hole/cut in chemical tube (sucking air in) which reduces chemical intake. Chemical tube not immersed in chemical or depleted. <ul style="list-style-type: none"> ◦ Cut off end of tube, replace tube or immerse tube in chemical 11. Discharge nozzle is wrong size <ul style="list-style-type: none"> ◦ Install correct nozzle (see parts drawing) ◦ Use only provided nozzles/wands for chemical application 12. Chemical build-up or hard water scale may have formed in the foam wand or injector body causing poor or no chemical pick-up <ul style="list-style-type: none"> ◦ Follow Preventive Maintenance instructions below, using hot water and/or descaling acid. When there is no draw at all, carefully remove inlet fitting and chemical check valve. Soak injector body and or foam wand in de-scaling acid. 13. Bypass ball valve open (Bypass models only) <ul style="list-style-type: none"> ◦ Close bypass valve.

PREVENTIVE MAINTENANCE: When the unit will be out of service for extended periods, place chemical tube(s) in water and flush the chemical out of the unit to help prevent chemical from drying out and causing build-up. Periodically check and clean chemical strainer and replace if missing.

