

# Lafferty Equipment Manufacturing, LLC Installation & Operation Instructions

## Model # VC-1100 · A-20SS Foam Wand W/ Trigger Gun

### REQUIREMENTS

#### TWO POSSIBLE USAGE SITUATIONS:

<b>Compatible Chemical Injector</b>	Model 20 Series, W-20SS
<b>Ready-to-Use Chemical</b>	From a User-Supplied Pumping System

### OPTIONS

<b>Stainless Steel Hose Racks</b>	
Large Stainless Steel Hose Rack	# 224150
<b>Compatible Injectors</b>	
Bypass System, 1-Way	# 969751
Bypass System, 2-Way	# 969752
3/8" W-20SS Injector Kit	# VC-1200
<b>Unit Storage Rack</b>	
Compact Foamer/Sprayer Rack, Stainless Steel	# 224301



[www.laffertyequipment.com](http://www.laffertyequipment.com)

501-851-2820

**WARNING! READ ALL  
INSTRUCTIONS BEFORE  
USING EQUIPMENT!**



### OVERVIEW

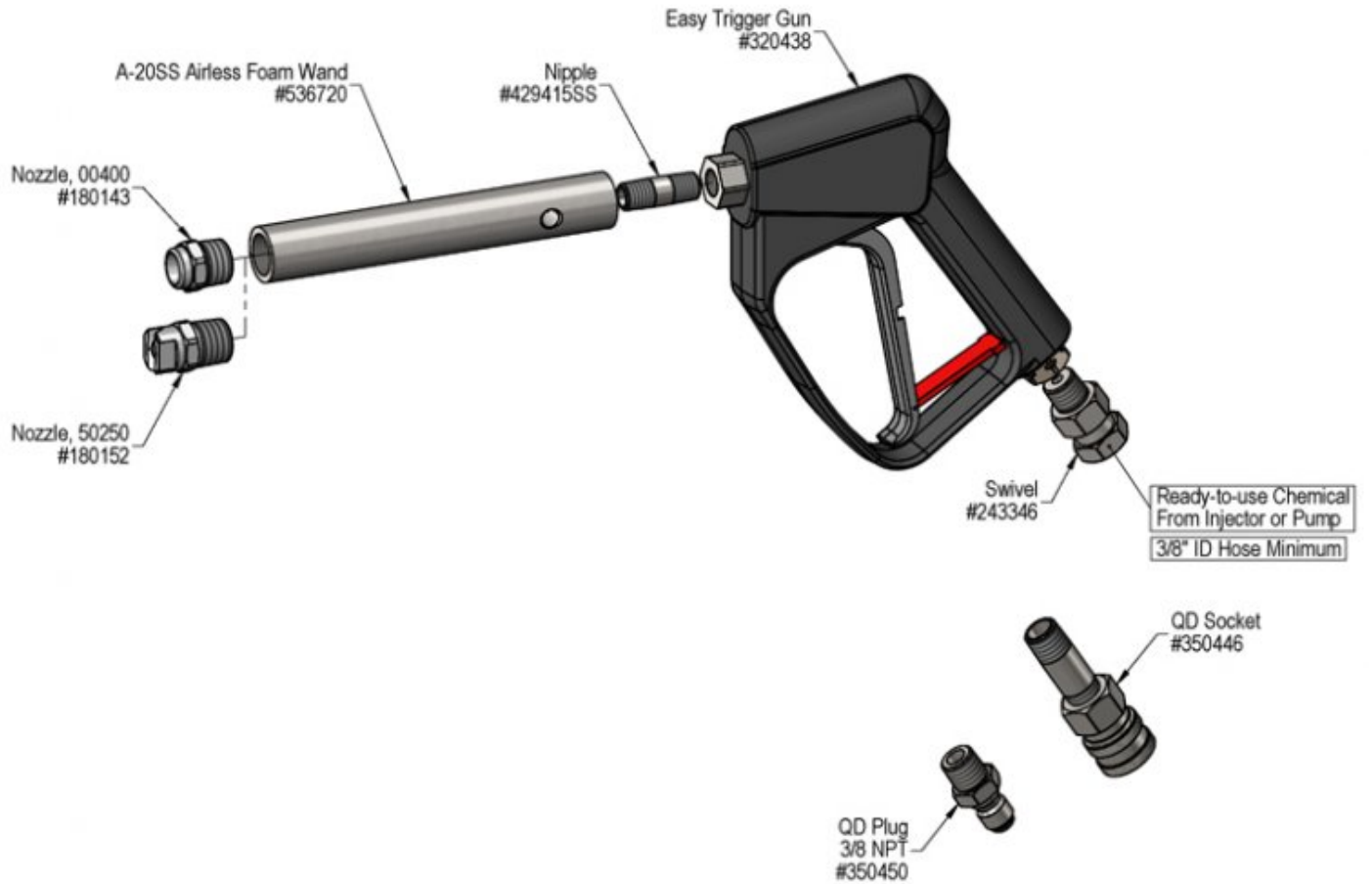
The A-20SS Foam Wand receives diluted chemical from a compatible pressure washer injector or a pumping system for ready-to-use chemical. Chemical solution flows through the gun to the airless foam wand which injects atmospheric air to create and project wet, clinging foam on to surfaces up close or at distances up to 25 feet with interchangeable fan and zero degree nozzles. *Chemical injector not included, see options.*

### SAFETY & OPERATIONAL PRECAUTIONS

- For proper performance do NOT modify, substitute nozzle, hose diameter or length.
- Manufacturer assumes no liability for the use or misuse of this unit.
- Wear protective clothing, gloves and eye wear when working with chemicals.
- Always direct the discharge away from people and electrical devices.
- Follow the chemical manufacturer's safe handling instructions.

### TO INSTALL (REFER TO DIAGRAM ON NEXT PAGE)

- Attach appropriate 3/8" quick-disconnect fitting to swivel fitting on gun inlet. QD Plug or QD Socket with short pipe nipple, depending on existing hose connections (see diagram).
- If necessary, install the other QD on the pressure washer hose.
- Connect trigger gun to pressure washer hose with quick connect.



PREVENTIVE MAINTENANCE: When the unit will be out of service for extended periods, place chemical tube(s) in water and flush the chemical out of the unit to help prevent chemical from drying out and causing build-up. Periodically check and clean chemical strainer and replace if missing.

