

Lafferty Equipment Manufacturing, LLC Installation & Operation Instructions

Model # 976956-C · Sentinel™ 1-Gallon Hand Sanitizer Dispenser, Counter Style

REQUIREMENTS

Chemical Container

1-Gallon, Round or Square
Spring-Loaded Pump Mechanism

OPTIONS

Model Number Ordering Guide

Wall Mount Style, Standard	#
Specify 'Counter Style'	# -C
Specify 'Floor Style'	# -F



Lafferty
EQUIPMENT MANUFACTURING LLC
CFS TECHNOLOGIES

www.laffertyequipment.com

501-851-2820

**WARNING! READ ALL
INSTRUCTIONS BEFORE
USING EQUIPMENT!**



OVERVIEW

The Sentinel™ 1-Gallon Hand Sanitizer Dispenser is an all stainless steel dispenser for hand hygiene products (sanitizer or soap) and other chemicals. A heavy-duty push lever depresses the pump on a user-supplied chemical container and dispenses an adjustable amount of product into the users hand. The industrial design is perfect for dispensing hand sanitizer in high-traffic/high-use locations as with food preparation areas, hospitals, military facilities, retail stores, professional offices, entertainment venues and countless other locations. This model is for round and square jugs and is offered as wall mount, counter, and floor styles.

SAFETY & OPERATIONAL PRECAUTIONS

- Manufacturer assumes no liability for the use or misuse of this unit.
- Follow the chemical manufacturer's safe handling instructions.

TO INSTALL (REFER TO DIAGRAM ON NEXT PAGE)

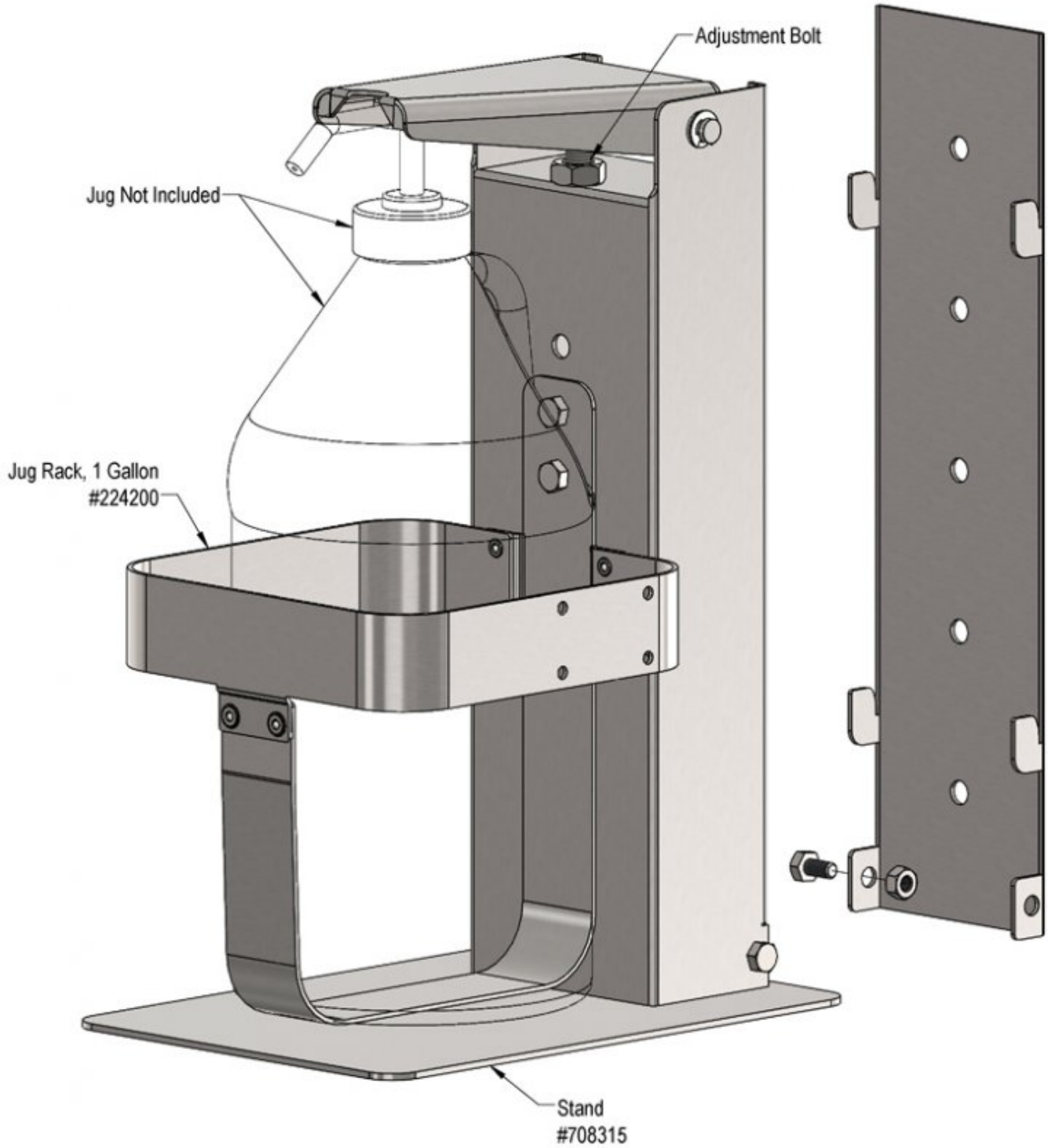
1. Place the unit on a flat, stable surface suitable for the size and weight of the unit with a full chemical container.
2. Lift push lever and place product jug with pump in jug rack.
3. If jug and pump are too short, reposition jug rack to a different mounting hole on dispenser front.
 - Jug rack mounting hardware is accessible from rear of dispenser. See parts diagram.
4. Reduce push lever range of motion by loosening (raising) adjustment bolt.
 - TIP: To extend pump service life, prevent pump spring from fully compressing and impacting pump cap.
5. Lock adjustment bolt in place with nut.

TO OPERATE

1. Press push lever to dispense product.
2. Refine output volume as desired.

TO REDUCE DISPENSING VOLUME

1. Lift push lever to vertical position.
2. Loosen adjustment bolt until it rises to sufficiently reduce push lever range of motion, thus reducing chemical usage per press.
3. To discourage tampering, lock adjustment bolt in place with nut.



This page intentionally left blank.

