

Lafferty Equipment Manufacturing, Inc. Installation & Operation Instructions

Model # 944201 · Portable SS PD XVMV Foamer

REQUIREMENTS

Chemical Concentrate
Static Tank of Water

Compressed Air	up to 50 CFM
Hose	1" ID x 100'
Nozzle	XV Foam Nozzle



Lafferty
EQUIPMENT MANUFACTURING INC.

www.laffertyequipment.com

501-851-2820

**WARNING! READ ALL
INSTRUCTIONS BEFORE
USING EQUIPMENT!**



OVERVIEW

The Portable SS PD XVMV Foamer is an extra-high volume foam applicator that projects pre-diluted foaming chemicals on to any surface up close or at distances up to 40 feet. It is powered solely by compressed air. A stainless steel 1" air pump, with Teflon diaphragms, draws pre-diluted chemical from a static tank. Compressed air is injected into the solution to greatly increase volume and coverage ability. An incredible volume of rich clinging foam is projected through the hose, wand and nozzle.

SAFETY & OPERATIONAL PRECAUTIONS

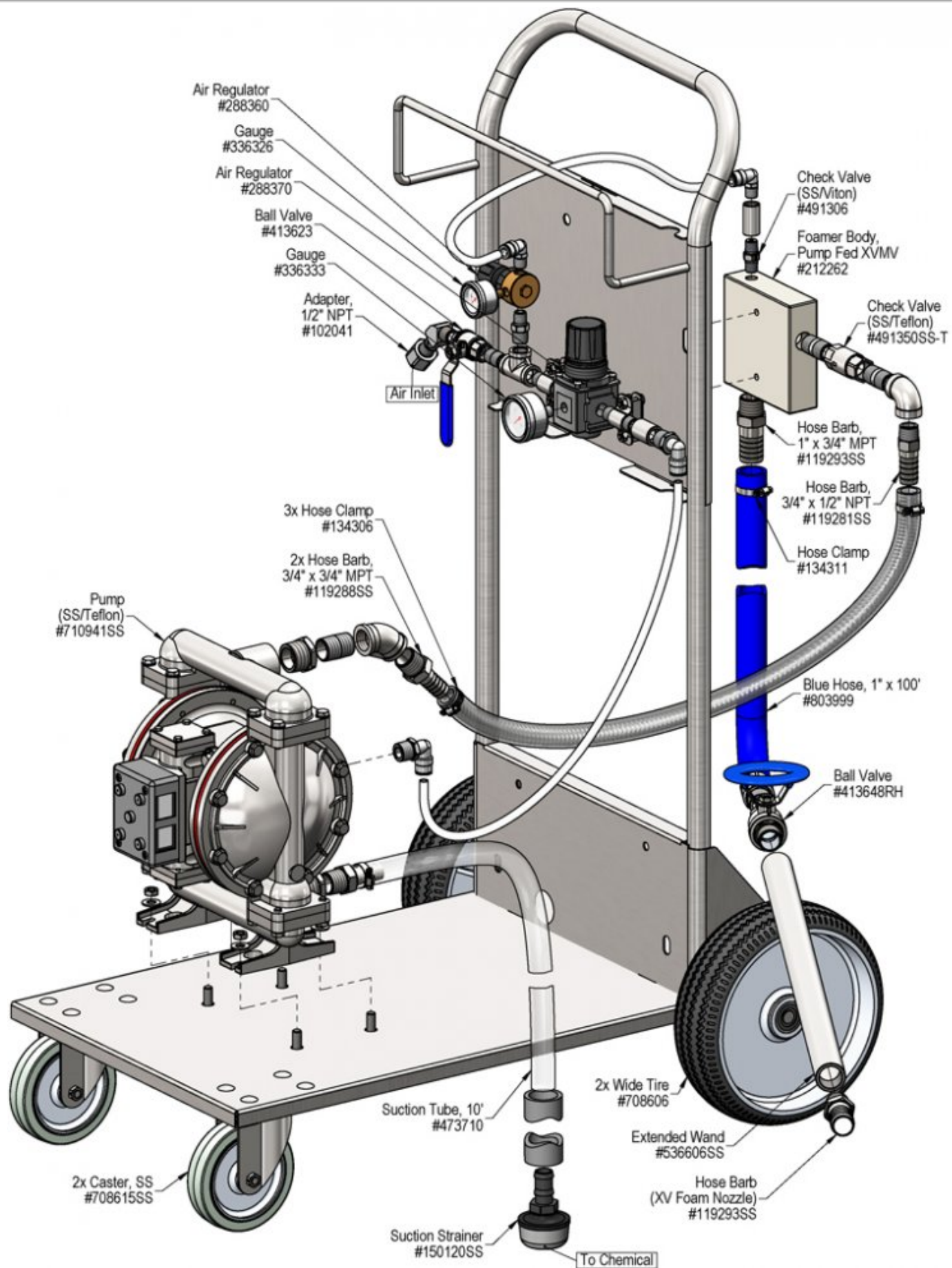
- For proper performance do NOT modify, substitute nozzle, hose diameter or length
- Manufacturer assumes no liability for the use or misuse of this unit.
- Wear protective clothing, gloves and eye-wear when working with chemicals.
- Always direct the discharge away from people and electrical devices.
- Follow the chemical manufacturer's safe handling instructions.
- DO NOT use chemicals that are not compatible with stainless steel or the Teflon diaphragms.
- **Do NOT run the pump dry. This can cause damage to the pump.**
- Always slightly open the inlet ball valve until the pump primes.

TO INSTALL (REFER TO DIAGRAM ON NEXT PAGE)

1. Cut chemical suction tubing to desired length.
2. Securely attach the chemical suction tube as shown in the drawing.
3. Place suction tube/strainer in a chemical concentrate container.
4. Attach a compressed airline to the inlet ball valve. DO NOT TURN ON.

TO OPERATE

- **Always** make sure the discharge ball valve is closed or pointed in a safe direction before turning the air on. Ball valve can be shut off at any time during operation but should not be left unattended for long periods of time. Expect a strong blast when re-opening ball valve.
 - The unit has been tested and is ready to operate, the pump air pressure preset at 60 PSI. This is the optimum pressure. The foam consistency regulator is preset at 50. Test "as is" before making any adjustments. Pump pressure can be raised to 90 PSI for extra volume or increased throw distance.
 - The foam consistency air regulator is preset at 50 PSI. To adjust foam consistency, turn the foam consistency regulator clockwise for dryer foam and counterclockwise for wetter foam. Wait several seconds after each adjustment to see the results. Keep this pressure below the pump pressure.
1. With the foam wand in hand direct the discharge in a safe direction and open the discharge ball valve and the air ball valve.
 2. If the flow of foam surges, the foam consistency air regulator pressure is too high or the chemical concentration is too weak, reduce the air pressure by turning the knob counterclockwise until the foam flow stabilizes. Or add more chemical concentrate.
 3. A medium-wet foam will give the best cleaning results! Very dry foam will NOT clean as well!
 4. When foaming is complete:
 - Close the discharge ball valve.
 - Promptly return to the unit and close the air ball valve.
 - Briefly re-open the discharge ball valve to relieve pressure in the hose.
 5. Rinse the work surface before the foam dries.



Troubleshooting Guide

Problem	Possible Cause / Solution	
	Startup	Maintenance
A) Air pump will not pump or runs with no output.	1, 2, 3, 4	8, 12
B) Foam surges and/or hose "bucks".	1, 2, 3, 4, 5, 6	
C) Foam output too wet.	1, 2, 3, 4, 5	8, 9, 11
D) Foam output too dry.	2	9, 11, 12
E) Cleaning results not acceptable.	5, 6, 7, 8	9

Possible Cause / Solution	
Startup	Maintenance
<ol style="list-style-type: none"> 1. Inlet ball valve partially closed or air pressure too low. <ul style="list-style-type: none"> ◦ Completely open air inlet ball valve. 2. Foam consistency air pressure too high <ul style="list-style-type: none"> ◦ Adjust the air regulator slowly clockwise until foam stabilizes. 3. Discharge ball valve not completely open or Discharge hose kinked <ul style="list-style-type: none"> ◦ Completely open the discharge ball valve / straighten hose 4. Solution tube not completely immersed in chemical or container empty <ul style="list-style-type: none"> ◦ Immerse tube or replenish chemical. 5. Dilution too weak <ul style="list-style-type: none"> ◦ Add more chemical to solution container. 6. Improper chemical <ul style="list-style-type: none"> ◦ Ensure product is recommended for foaming and/or the application 7. Soil has hardened on surface <ul style="list-style-type: none"> ◦ Always rinse foam before it dries. 	<ol style="list-style-type: none"> 8. Solution strainer blocked <ul style="list-style-type: none"> ◦ Clean or replace 9. Air regulator failed <ul style="list-style-type: none"> ◦ Clean or replace 10. Air or water check valve(s) failed <ul style="list-style-type: none"> ◦ Clean or replace 11. Nozzle size too small or missing <ul style="list-style-type: none"> ◦ See REQUIREMENTS, page 1. 12. Problem with air pump <ul style="list-style-type: none"> ◦ Refer to air pump instruction manual. Replace pump.

PREVENTIVE MAINTENANCE: When the unit will be out of service for extended periods, place chemical tube(s) in water and flush the chemical out of the unit to help prevent chemical from drying out and causing build-up. Periodically check and clean chemical strainer and replace if missing.

