

# Lafferty Equipment Manufacturing, Inc. Installation & Operation Instructions

Model # 918056 · W-20SS Chemical / Rinse Spray-All W/ Rollover Nozzle

## REQUIREMENTS

### Chemical Concentrate

### Water

Temperature	up to 180°F
Pressure	400 to 1000 PSI
Flow	4.6 GPM @ 700 PSI
Supply Line	3/8"

### Hose

Spray	3/8" ID x 50'
Rinse	3/8" ID x 50'

### Nozzle

Spray	2520
Rinse	0511

## OPTIONS

### Stainless Steel Hose Racks

Large Stainless Steel Hose Rack	# 224150
---------------------------------	----------

### Stainless Steel Jug Racks

Jug Rack, SS, 1 Gallon, Round/Square	# 224200
Jug Rack, SS, 2 1/2 Gallon	# 224210
Jug Rack, SS, 5 Gallon, Round/Square	# 224215

### Safe Flow Lid™ for 1 Gallon Jugs

Lid, Suction Tube, and Strainer	# 709101
---------------------------------	----------

### Alternate Check Valve - EPDM Standard

Check Valve, Chemical, SS, Viton, 1/4"	# 491324-V
--	------------



*(Trigger gun & wand  
shown on a smaller scale  
than other items)*

**Lafferty**  
EQUIPMENT MANUFACTURING INC.

[www.laffertyequipment.com](http://www.laffertyequipment.com)

501-851-2820

**WARNING! READ ALL  
INSTRUCTIONS BEFORE  
USING EQUIPMENT!**



## OVERVIEW

The W-20SS Spray-All is a combination spray/rinse applicator for applying chemical solutions to a variety of surfaces at 3.11 GPM @ 700 PSI and for rinsing. This stainless steel venturi injection system uses high water pressure (400 - 1000 PSI) to draw and blend chemical concentrate into the water stream using precision metering tips. The accurately diluted solution is then projected through the discharge hose, trigger gun, wand and fan nozzle. The rollover nozzle assembly adds the convenience of alternating between spraying and rinsing without having to return to the wall mounted unit.

**SAFETY & OPERATIONAL PRECAUTIONS**

- For proper performance do NOT modify, substitute nozzle, hose diameter or length.
- Manufacturer assumes no liability for the use or misuse of this unit.
- Wear protective clothing, gloves and eye wear when working with chemicals.
- Always direct the discharge away from people and electrical devices.
- Follow the chemical manufacturer's safe handling instructions.

**TO INSTALL (REFER TO DIAGRAM ON NEXT PAGE)**

1. Mount the unit to a suitable surface above the chemical supply to prevent siphoning.
2. Connect the discharge hose as shown in the diagram.
3. To prevent blocking the small water jets in the injector flush any new plumbing of debris before connecting water.
4. Connect water supply. If water piping is older or has known contaminants install a water filter.

**Set the chemical dilution ratio by threading one of the color coded metering tips into each chemical check valve. See chemical labels for dilution ratio recommendation or consult your chemical supplier.**

- For the strongest dilution ratio do NOT install a colored metering tip.
- The dilution ratios in the metering tip chart are based on water thin chemicals with a viscosity of 1CPS.
- Thicker chemicals will require a larger tip than the ratios shown in the chart.
- Application results will ultimately determine final tip color.
- Select the tip color that is closest to your desired chemical strength and thread it into the tip holder. **DO NOT OVER-TIGHTEN.**
- Push the chemical tube over the check valve barb and place the suction tube in the chemical concentrate.
- If necessary, cut suction tube(s) to length before attaching suction strainer.

**TO OPERATE**

This unit is equipped with a rollover nozzle assembly, adding the convenience of alternating between spraying and rinsing at the hose end, without having to return to the wall mounted unit. The larger nozzle is used for Spraying/Sanitizing and the smaller nozzle for Rinsing.

**TO SPRAY/SANITIZE**

1. With trigger gun in hand open the inlet ball valve.
2. Hold the wand assembly in a horizontal position and rotate it so that the smaller (Rinse) nozzle is lower than the larger (Spray/Sanitize) nozzle.
3. Pull the trigger and begin application. Note: Once application has begun, the orientation of the wand assembly is not important.
4. When application is completed, release the trigger.

**TO RINSE**

1. Hold the wand assembly in a horizontal position and rotate it so that the larger (Spray/Sanitize) nozzle is lower than the smaller (Rinse) nozzle.
2. Pull the trigger and begin rinsing. Note: Once rinsing has begun, the orientation of the wand assembly is not important.
3. When rinsing is completed, release the trigger, then close the inlet ball valve.
4. Briefly squeeze the trigger to relieve pressure in hose.

**METERING TIP SELECTION**

METERING TIP COLOR	OZ/MIN	DILUTION RATIO @ 700 PSI	
		SPRAY	RINSE
Brown	0.56	711:1	—
Clear	0.88	452:1	—
Bright Purple	1.38	288:1	—
White	2.15	185:1	—
Pink	2.93	136:1	—
Corn Yellow	3.84	104:1	—
Dark Green	4.88	82:1	—
Orange	5.77	69:1	—
Gray	6.01	66:1	—
Light Green	7.01	57:1	—
Med. Green	8.06	49:1	—
Clear Pink	9.43	42:1	—
Yellow Green	11.50	35:1	—
Burgundy	11.93	33:1	—
Pale Pink	13.87	29:1	—
Light Blue	15.14	26:1	—
Dark Purple	17.88	22:1	—
Navy Blue	25.36	16:1	—
Clear Aqua	28.60	14:1	—
Black	50.00	8:1	—
No Tip Ratio Up To:		7:1	—

The dilution ratios above are approximate values. Due to chemical viscosity, actual dilution ratios may vary.

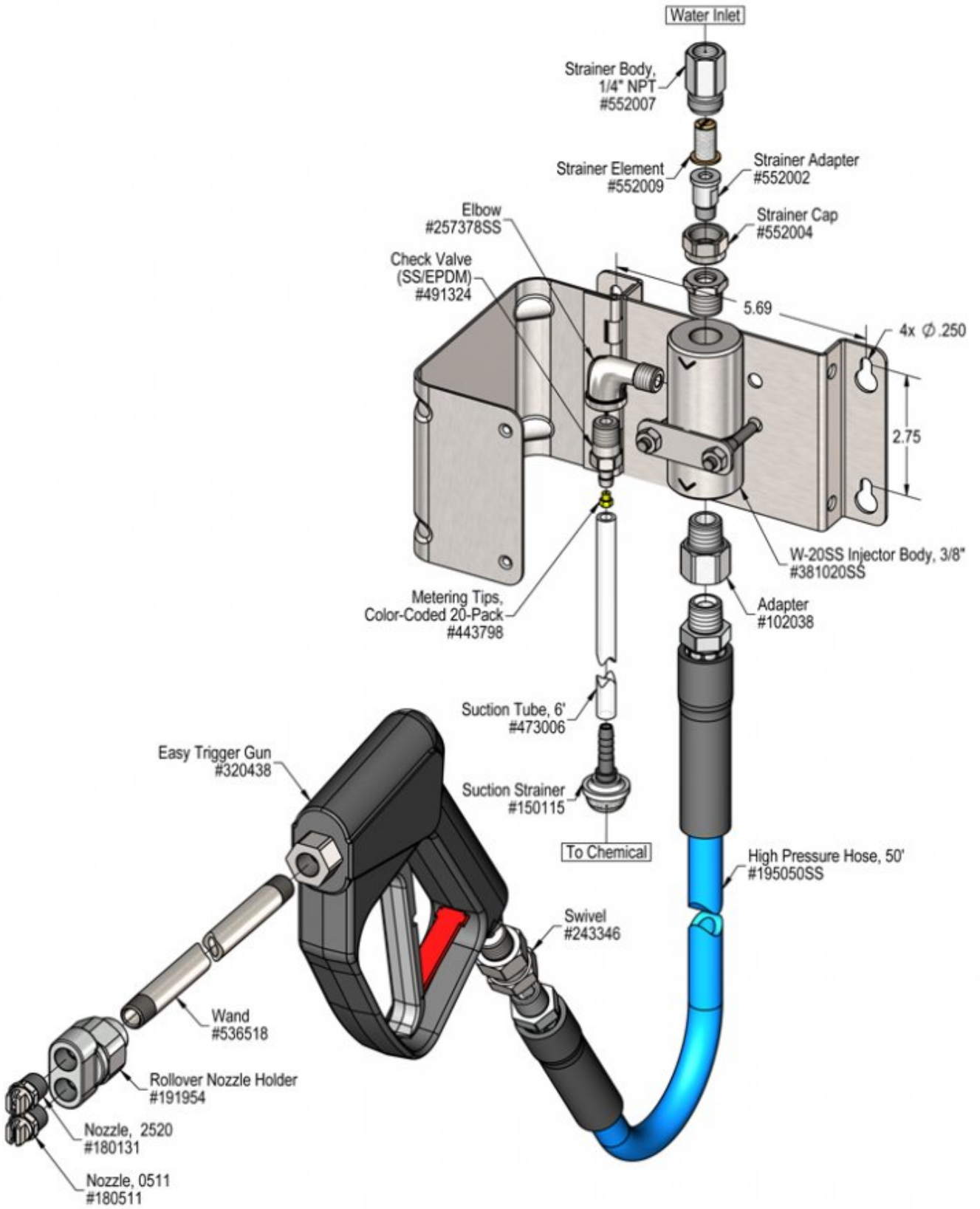
**FORMULA**

**GPM × 128 ÷ Desired Dilution Ratio = oz/min**

- See Unit Flow Rates chart for GPM
- Use 20 for 20:1 dilution ratio, 30 for 30:1, etc.
- Match calculated ounces per minute (oz/min) to nearest oz/min in Metering Tip Selection chart.

**UNIT FLOW RATES**

PSI	GPM	
	SPRAY	RINSE
400	2.35	3.50
500	2.63	3.91
600	2.88	4.29
700	3.11	4.63
800	3.32	4.95
900	3.53	5.25
1000	3.72	5.53



## Troubleshooting Guide

Problem	Possible Cause / Solution	
	Startup	Maintenance
A) Unit will not draw chemical	1, 4, 5, 6, 7	8, 9, 10, 11, 12, 13, 14
B) Dilution too weak	2, 4, 5	8, 9, 10, 11, 12, 13, 14
C) Dilution too strong	3	14
D) Water backing up into chemical container		8

Possible Cause / Solution	
Startup	Maintenance
<ol style="list-style-type: none"> <li><b>1. Inlet ball valve or trigger gun not completely open</b> <ul style="list-style-type: none"> <li>◦ Completely open the inlet ball valve.</li> </ul> </li> <li><b>2. Not enough chemical - metering tip too small</b> <ul style="list-style-type: none"> <li>◦ Install larger metering tip.</li> </ul> </li> <li><b>3. No metering tip installed or metering tip too large</b> <ul style="list-style-type: none"> <li>◦ Install smaller metering tip.</li> </ul> </li> <li><b>4. Chemical tube not immersed in chemical or chemical depleted</b> <ul style="list-style-type: none"> <li>◦ Immerse tube or replenish.</li> </ul> </li> <li><b>5. Discharge hose too long for available water pressure, kinked or wrong size</b> <ul style="list-style-type: none"> <li>◦ Straighten the hose or replace hose.</li> </ul> </li> <li><b>6. Nozzle size too small (SEE REQUIREMENTS)</b></li> <li><b>7. Water pressure or water volume too low/inlet piping too small causing poor chemical pick up</b> <ul style="list-style-type: none"> <li>◦ Increase water pressure or water volume</li> </ul> </li> </ol>	<ol style="list-style-type: none"> <li><b>8. Chemical check valve stuck or failed</b> <ul style="list-style-type: none"> <li>◦ Clean or replace.</li> </ul> </li> <li><b>9. Chemical strainer or metering tip partially blocked</b> <ul style="list-style-type: none"> <li>◦ Clean or replace chemical strainer and/or metering tip.</li> </ul> </li> <li><b>10. Chemical tube stretched out or pin hole/cut in chemical tube</b> <ul style="list-style-type: none"> <li>◦ Cut off end of tube or replace tube.</li> </ul> </li> <li><b>11. Vacuum leak in chemical pick-up connections</b> <ul style="list-style-type: none"> <li>◦ Tighten the connection.</li> </ul> </li> <li><b>12. Water strainer clogged or missing/injector inlet orifice clogged</b> <ul style="list-style-type: none"> <li>◦ Clean or replace strainer; check/clean inlet orifice for obstructions. DO NOT DRILL OUT.</li> </ul> </li> <li><b>13. Hard water scale or chemical build-up may have formed in the injector body causing poor or no chemical pick-up</b> <ul style="list-style-type: none"> <li>◦ Follow Preventive Maintenance instructions below, using hot water and/or de-scaling acid. When there is no draw at all, carefully remove fittings and soak entire injector body in de-scaling acid.</li> </ul> </li> <li><b>14. More than one chemical ball valve is open</b> <ul style="list-style-type: none"> <li>◦ 2-Way and 3-Way models only</li> </ul> </li> </ol>

**PREVENTIVE MAINTENANCE:** When the unit will be out of service for extended periods, place chemical tube(s) in water and flush the chemical out of the unit to help prevent chemical from drying out and causing build-up. Periodically check and clean chemical strainer and replace if missing.

