

# Lafferty Equipment Manufacturing, LLC Installation & Operation Instructions

Model # 976625 · Timed Entryway Satellite Controller

## REQUIREMENTS

Electrical Rating ~ 110/120V, 50/60Hz, 20W



[www.laffertyequipment.com](http://www.laffertyequipment.com)

501-851-2820

**WARNING! READ ALL  
INSTRUCTIONS BEFORE  
USING EQUIPMENT!**



## OVERVIEW

The Timed Entryway Satellite Controller is a control box used to regulate the operation of up to 10 Satellite Entryway Foam Sanitizers in applying rich foam to multiple entryway floors at regular, timed intervals, to prevent cross contamination from foot or wheeled traffic. The Satellite Controller is equipped with an air solenoid and an adjustable recycle timer. Compressed air is used to activate and run the Satellite Entryway Foamers, without the need for electrical connections at the Satellites. Activation will start the flow of water/solution to the foamers; deactivation stops the flow of water/solution through the foamers. All foamers activate and deactivate at the same time, continually 24/7.

## SAFETY & OPERATIONAL PRECAUTIONS

- This appliance is not intended for use by persons (including children) with reduced physical, sensory or mental capabilities, or lack of experience and knowledge, unless they have been given supervision or instruction concerning use of the appliance by a person responsible for their safety. Children should be supervised to ensure that they do not play with the appliance.
- If the supply cord is damaged, it must be replaced by the manufacturer, its service agent or similarly qualified persons in order to avoid a hazard.
- For proper performance do NOT modify electrical control box.
- Manufacturer assumes no liability for the use or misuse of this unit.
- Always consider electrical shock hazard when working with and handling electrical equipment. If uncertain, consult an Electrician. Electrical wiring should only be done by a qualified Electrician, per Local and State Electrical Codes.
- Disconnect electrical power to the control box prior to opening it.
- Remove any packing material from inside the control box before operating.

## TO INSTALL (REFER TO DIAGRAM ON NEXT PAGE)

**Note:** This Controller requires a 120V electrical supply

1. Mount the control box at a convenient central location, close to the Satellite Entryway Foam Sanitizers or Trench Foamer Satellites. Mount the control box to a secure surface. It may be mounted vertically, on a wall, post or other vertical surface, or horizontally on a flat surface. Commercially available mounting hardware (not provided), appropriate to the surface material of construction, should be used to secure the control box to the surface. Mounting holes are located at the four corners of the base of the control box.
2. Do not connect to electricity supply.
3. Run a common 1/2" ID (minimum) compressed air supply line from the Lafferty Satellite Controller to each Satellite.  
**Note:** The size of the airline may need to be 3/4" ID, depending on the distance and number of Satellite Foamers that will be installed. You will need up to 5 CFM at 60 PSI per station. IF in doubt oversize the line. You can drop the line size to 3/8" tubing off the main airline to attach to each Satellite.  
**Note:** When used to control Vision Trench Foam Satellites, this air line is used to activate air activated solenoids at the Satellite. The Satellite unit must be connected to local compressed air. In this instance, the ID of the airline may be 3/8" for the entire installation.
4. Connect compressed air supply to the Controller.

## TO OPERATE

### TIMER ADJUSTMENT

1. **CAUTION! MAKE SURE TO UNPLUG THE POWER CORD!** Then open control box and adjust the timer.
2. The ON TIME dip switches control how long the foam will be applied. Add up the seconds for each activated dip switch to arrive at the desired duration of the ON cycle. Usually 10-20 seconds is sufficient to foam the floor (longer plumbing runs will require a longer application cycle). - Maximum is 62 seconds.
3. The OFF TIME dip switches control how long the unit will stay off between foam applications. Add up the minutes for each activated dip switch to arrive at the desired duration of the OFF cycle. Set your OFF TIME to maintain the foam's presence according to your flow (anywhere from 6 to 15 minutes). - Maximum is 62 minutes.  
**Note: For proper operation, every dip switch must be set fully to either OFF or ON (to the left or to the right), not in a middle position.**
4. Close control box and plug in the power cord. Turn on the power switch. The unit will now function according to the timer settings. (ON TIME will activate first.)
  - Note: The unit will run 24 hours a day unless the power switch is manually turned off.
  - For extra foam at any time, press and hold the lower end (Momentary control) of the switch. (See Switch Settings, below.)

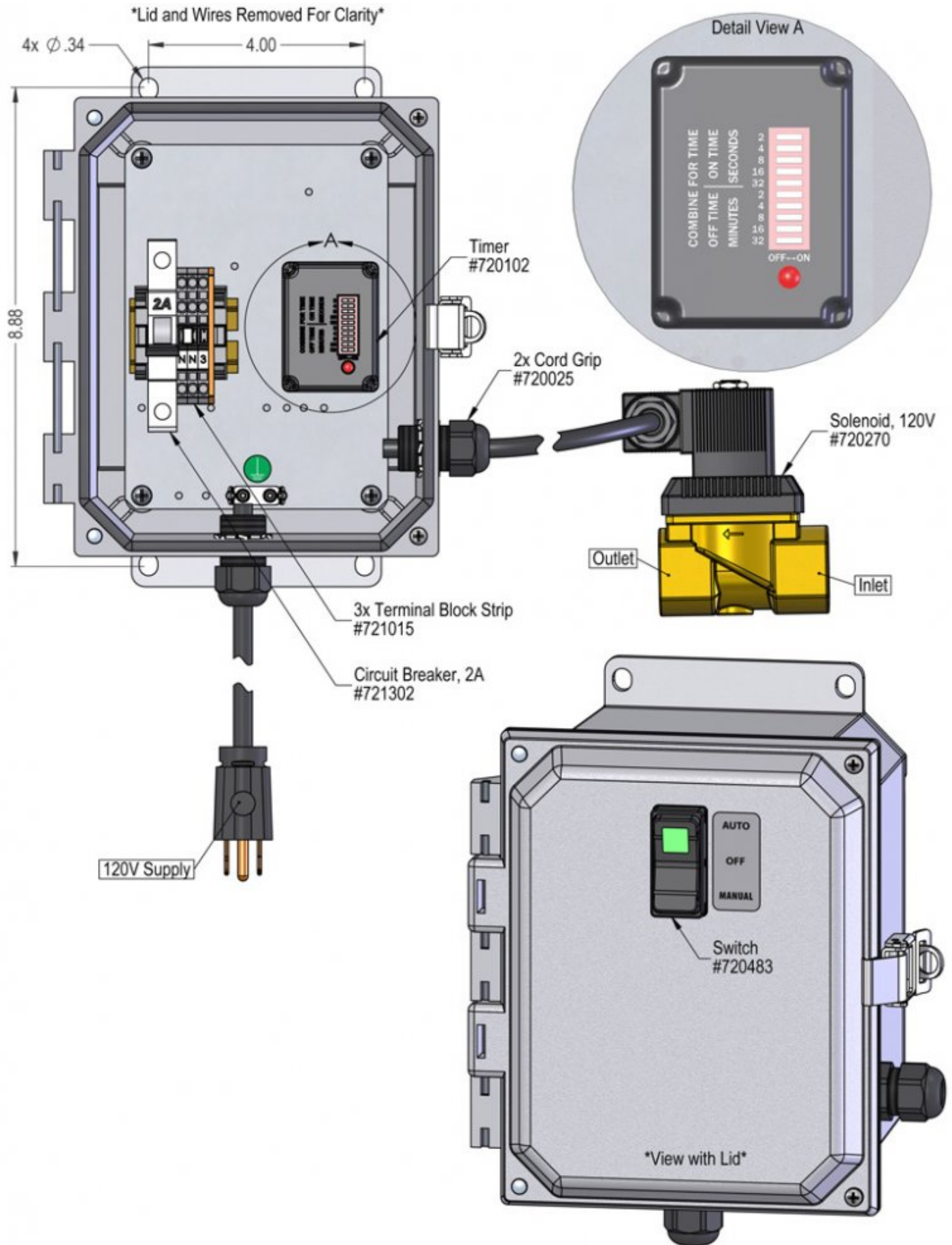
### SWITCH SETTINGS (On front of Control Box)

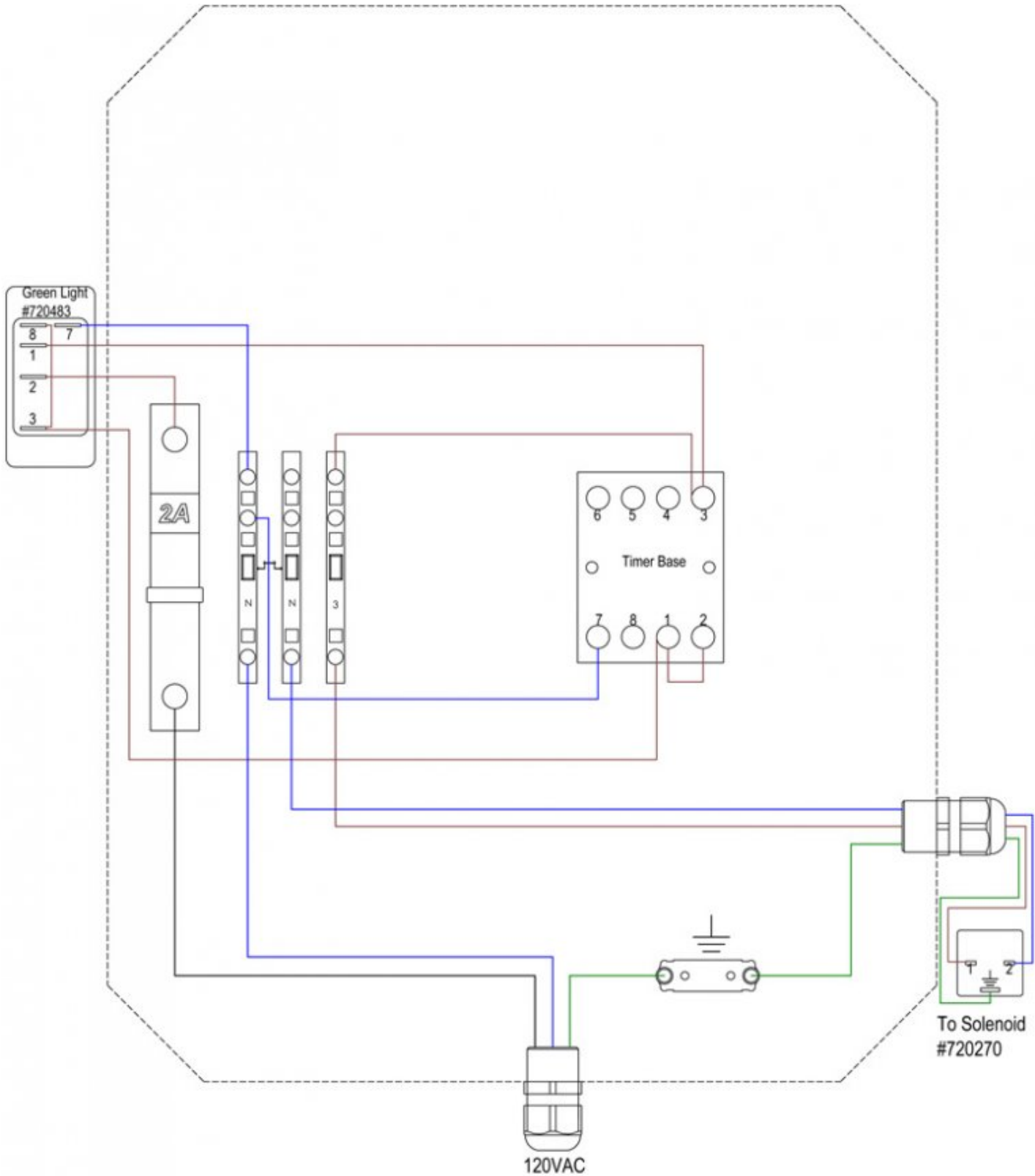
Automatic control (AUTO) – Top of switch is depressed. Green light glows. The unit will function according to the timer settings.

OFF – Switch is in middle position; green light is off

Momentary control (HAND) – Press bottom of switch. Unit is active only while switch is pressed. When released, the switch returns to the OFF position.

**Note:** If power is interrupted after the timers have been set, the system stops all timer operations. To restart, set the controller switch to Off and then return the switch to AUTO. Foaming will start immediately when the switch is set to AUTO.





REVISIONS			
REV.	DESCRIPTION	DATE	APPROVED
00	976625 Added to SolidWorks	3/16/2016	HB
01	Switched Breaker & Terminal Strip	1/18/2018	HB

