

# Lafferty Equipment Manufacturing, Inc. Installation & Operation Instructions

Model # 950101-SS · 305 1-Way SS Fogger

## REQUIREMENTS

Ready-to-Use Chemical Solution

**Compressed Air** up to 7.4 CFM @ 80 PSI

**Minimum Air Supply Line** 3/8"

## OPTIONS

**Stainless Steel Jug Racks**

1 Gallon Round/Square # 224200

1 Gallon Round/Square Locking # 224200-L

2 ½ Gallon (8 ½" x 10 ½") # 224210

5 Gallon (12" x 12") # 224215

5 Gallon Round Locking # 224216

**Safe Flow Lid™ for 1 Gallon Jugs**

Lid, Suction Tube, and Strainer # 709101

**To Control Solution Flow (Wetness of Fog)**

Metering Tips-Color Coded (Set of 20) # 443798

Metering Tips-Color Coded (10 Smallest) # 443794

## WEIGHT & DIMENSIONS

**Single Package**

Shipping Weight 2 lbs.

Shipping Dimensions 7" x 7" x 7"



**Lafferty**  
EQUIPMENT MANUFACTURING INC.

[www.laffertyequipment.com](http://www.laffertyequipment.com)

501-851-2820

**WARNING! READ ALL  
INSTRUCTIONS BEFORE  
USING EQUIPMENT!**



## OVERVIEW

The 305 1-Way Stainless Steel Fogger is a damp mist sprayer that uses compressed air (7.4 CFM @ 80 PSI) and venturi action to draw ready-to-use chemical solution from a nearby container and project it up to 25 feet. The adjustable output can wet surfaces at close range or spray mist (fog) into the air to cover exposed surfaces and penetrate hard-to-reach areas.

**SAFETY & OPERATIONAL PRECAUTIONS**

- Manufacturer assumes no liability for the use or misuse of this unit.
- Wear proper respiratory protection, protective clothing, gloves and eye-wear when working with chemicals.
- Always direct the discharge away from electrical devices.
- Follow the chemical manufacturer's safe handling instructions.
- Carefully follow chemical manufacturer's safe handling instructions and recommended precautions/practices when using flammable chemicals.
- **SPECIAL CAUTION: This fogger atomizes chemical into the air. Ensure that the area to be fogged has been evacuated of all people without proper respiratory protection!**

**TO INSTALL (REFER TO DIAGRAM ON NEXT PAGE)**

**Hand Held**

1. Mix up a ready to use chemical solution.
2. Connect a compressed airline to the fogger.
3. Place the pick up tube in the solution.

**Permanent Mount**

1. Survey the area to be fogged and select the proper location for mounting the foggers. Keep the shading effect of obstacles in mind as you select the best location.
2. Install your air manifold and the drop down pipes for the foggers. Airline size must be sufficient to feed the number of foggers to be operated at one time.
3. Install foggers, push the pickup tubes over the metering tip holders.
4. Place the tubes with strainer into a container of ready to use solution.

**TO OPERATE**

**SPECIAL CAUTION: This fogger atomizes chemical into the air. Ensure that the chemical is safe to be around or the area to be fogged has been evacuated of all people and/or animals before starting fogging. Upon completion of fogging, ensure that sufficient time has elapsed for all the fog to have dissipated before returning to the area without proper respiratory protection.**

**Hand Held**

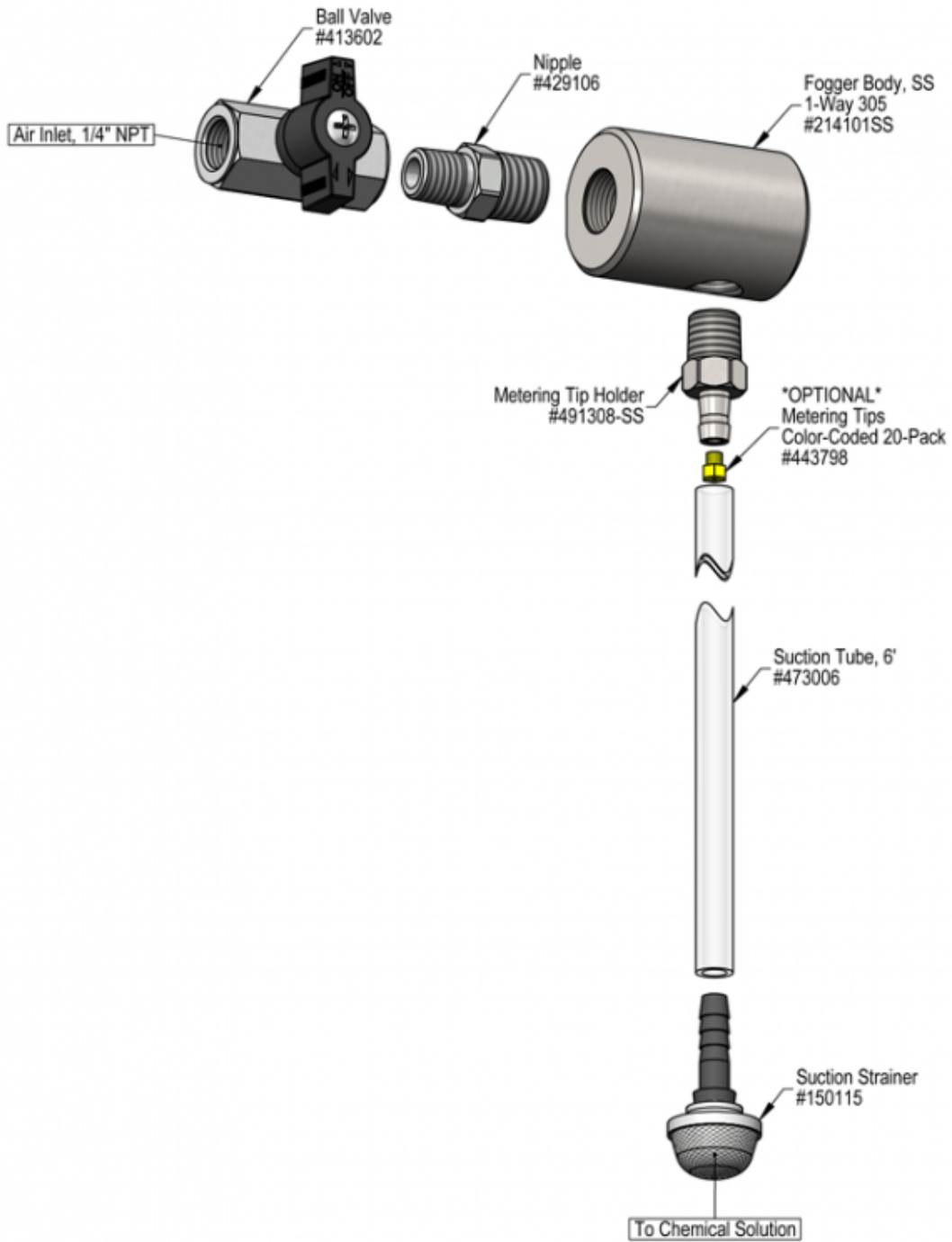
1. Direct fogger towards the area or object to be fogged and turn the ball valve on.
2. When finished close the ball valve.

**Permanent Mount**

1. Turn on your air supply.
2. Depending on the application, you will have to experiment with the amount of time and solution required to achieve the desired results.
3. Turn air supply off when finished.

Foggers may produce more volume than needed. If fog is too dense, optional metering tips are available for restricting the solution volume to produce a lighter fog.

305 1-WAY FOGGER		
PROJECTS DAMP FOG/MIST UP TO 25'		
COMPRESSED AIR FLOW (CFM)		
PLUMES	60 PSI	80 PSI
1-Way	5.6	7.4
CHEMICAL SOLUTION DRAW RATE (FL-OZ/MIN)		
DISTANCE	60 PSI	80 PSI
12' Above Chemical	4.0	6.0
10' Above Chemical	6.3	8.7
Hand Held	10.2	11.6



## Troubleshooting Guide

Problem	Possible Cause / Solution	
	Startup	Maintenance
A) Fogger will not draw chemical or is sputtering	1, 2, 3, 4	6, 7, 8, 9
B) Fog is too wet	1, 5	

Possible Cause / Solution	
Startup	Maintenance
<ol style="list-style-type: none"> <li><b>1. Air line too small, not enough air pressure or volume</b> <ul style="list-style-type: none"> <li>◦ See REQUIREMENTS, page 1.</li> </ul> </li> <li><b>2. Air pressure too high.</b> <ul style="list-style-type: none"> <li>◦ Slightly close the air supply valve to lower the pressure by lowering the volume until the fogger smooths out.</li> </ul> </li> <li><b>3. Fogger too high to draw chemical, 12' maximum</b> <ul style="list-style-type: none"> <li>◦ Raise the level of the chemical</li> </ul> </li> <li><b>4. Chemical tube kinked or not immersed in chemical or chemical depleted.</b> <ul style="list-style-type: none"> <li>◦ Straighten tube / replenish chemical</li> </ul> </li> <li><b>5. Drawing too much solution</b> <ul style="list-style-type: none"> <li>◦ Order and install optional metering tip or needle valve (needle valve 4 &amp; 8-Way only).</li> </ul> </li> </ol>	<ol style="list-style-type: none"> <li><b>6. Pin hole or cut in suction tube</b> <ul style="list-style-type: none"> <li>◦ Replace suction tube.</li> </ul> </li> <li><b>7. Chemical strainer clogged up</b> <ul style="list-style-type: none"> <li>◦ Clean or replace</li> </ul> </li> <li><b>8. Metering tip or metering tip holder clogged</b> <ul style="list-style-type: none"> <li>◦ Clean or replace metering tip and/or metering tip holder.</li> </ul> </li> <li><b>9. Debris clogging the fogger inlet jets</b> <ul style="list-style-type: none"> <li>◦ Disconnect air supply, remove fogger bodies and visually inspect; remove debris from fogger inlet.</li> </ul> </li> </ol>

**PREVENTIVE MAINTENANCE:** When the unit will be out of service for extended periods, place chemical tube(s) in water and flush the chemical out of the unit to help prevent chemical from drying out and causing build-up. Periodically check and clean chemical strainer and replace if missing.

