

Lafferty Equipment Manufacturing, Inc. Installation & Operation Instructions

Model # 950820 · Fogger Delayed Start, Single Cycle Controller - 180 CFM

REQUIREMENTS

Electric	120V / 2 Amps
Compressed Air	Up to 180 CFM



Lafferty
EQUIPMENT MANUFACTURING INC.

www.laffertyequipment.com

501-851-2820

**WARNING! READ ALL
INSTRUCTIONS BEFORE
USING EQUIPMENT!**



OVERVIEW

When activated, the Fogger Delayed Start, Single Cycle Controller starts a timed delay period (up to 6 hours) before fogger operation. Upon completion of the timed delay, the fogger will activate and run for a predetermined period of time (up to 1 hour), then switch off. The delay and run times are set by adjusting the knobs on the dial of the timer.

• *NOTE: The total air CFM requirement of all the foggers connected to this controller must be less than 180 CFM, which is the air CFM capacity of the controller's 1/2 inch solenoid. (For a higher capacity of up to 460 CFM see controller model #950822.)*

SAFETY & OPERATIONAL PRECAUTIONS

- See Additional Safety Precautions included with the Electrical Control Box Installation Information
- Always consider electrical shock hazard when working with and handling electrical equipment. If uncertain, consult an Electrician. Electrical wiring should only be done by a qualified Electrician, per Local and State Electrical Codes.
- Manufacturer assumes no liability for the use or misuse of this unit.
- Wear proper respiratory protection, protective clothing, gloves and eye-wear when working with chemicals.
- Always direct the discharge away from electrical devices.
- Carefully follow chemical manufacturer's safe handling instructions and recommended precautions/practices especially when using flammable chemicals.
- For proper performance do NOT modify electrical control box.
- Disconnect electrical power to the control box prior to opening it.
- Remove any packing material from inside the control box before operating.
- **SPECIAL CAUTION: This fogger atomizes chemical into the air. Ensure that the chemical is safe to be around or the area to be fogged has been evacuated of all people and/or animals before starting fogging. Upon completion of fogging, ensure that sufficient time has elapsed for all the fog to have dissipated before returning to the area without proper respiratory protection.**

TO INSTALL (REFER TO DIAGRAM ON NEXT PAGE)

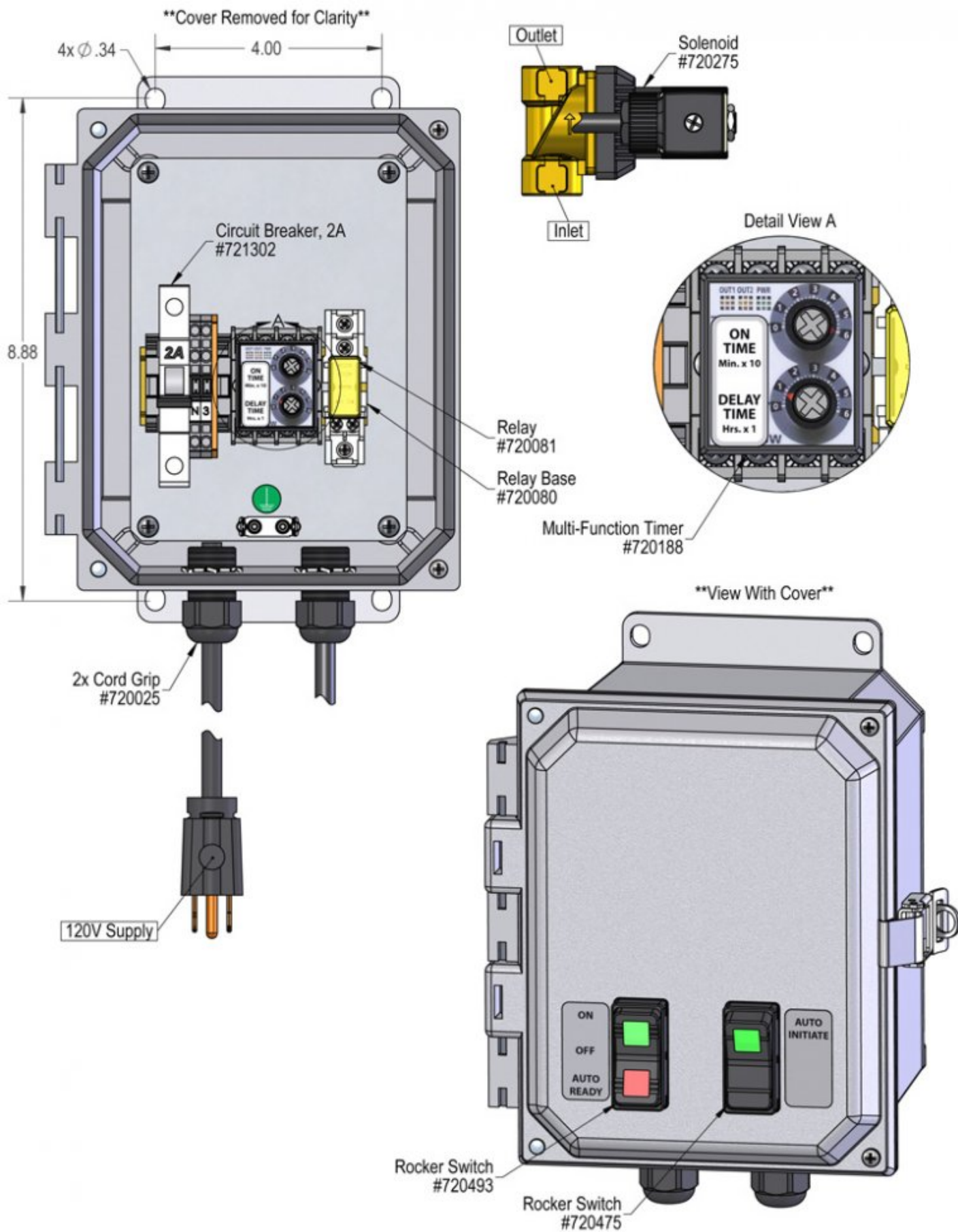
1. Mount the control box to a secure surface. It may be mounted vertically, on a wall, post or other vertical surface, or horizontally on a flat surface. Commercially available mounting hardware (not provided), appropriate to the surface material of construction, should be used to secure the control box to the surface. Mounting holes are located at the four corners of the base of the control box.
2. Do NOT connect to electricity yet.
3. Connect your compressed air to the 1/2" solenoid in the direction of the arrow and connect the discharge to piping leading to the fogger head(s)

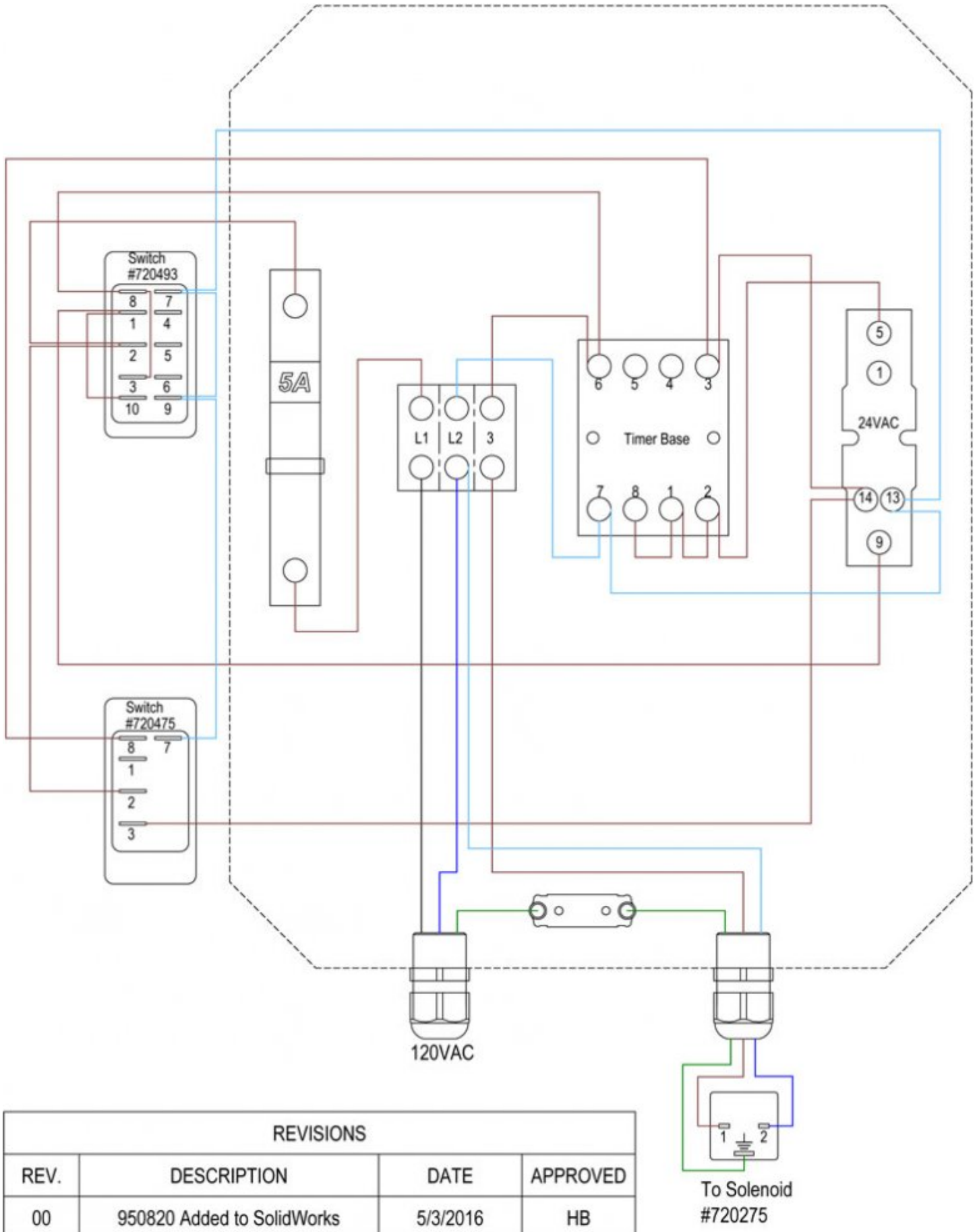
TO OPERATE

1. Make sure the system is not plugged in to a power source. Open the control box cover. The box contains one timer with both "Delay & Run" adjustment knobs.
Delay: This mode allows you to set the length of time you want the unit to be inactive for before fogging begins. Set the timer by turning the knob to the amount of delay time that you require. (0-6 Hours)
Run: This mode allows you to set the length of time you want the fogger to run for after the delay period has expired. Set the timer by turning the knob to the amount of run time that you require. (0-60 Minutes)
2. Close and lock the control box cover.
3. Plug the power cord into a 120 VAC power outlet. GFI recommended.
4. Read and follow the Installation and Operation Instructions for the Lafferty Fogger(s) that will be controlled by this timer.

Note: If power is interrupted while the unit is operating, the system stops all timer operations. To restart, set the controller switch to Off and then to Auto Ready.

1. **SWITCH SETTINGS** (There are two lighted rocker switches on the front of the control box.)
2. The switch on the left is labeled "On/Off/Auto Ready". With the switch in the "Off" position there is no power to the unit and there are no lights illuminated. **Caution: If the switch is set to the "On" position, the green light is illuminated and the unit will automatically start operating. This is useful during setup and testing with water. Otherwise this setting should be used with care.**
3. When the timers have been adjusted to required settings, the switch should be set to "Auto Ready". The red light illuminates and this provides power to the second switch on the right hand side of the control box.
4. The switch on the right is labeled "Auto Initiate". When you are ready to initiate the "Delay/Run" sequence, press the top of the switch to "Auto Initiate". The green light on this switch is now illuminated. The unit is now in Delay mode and will perform according to preset times.





REVISIONS			
REV.	DESCRIPTION	DATE	APPROVED
00	950820 Added to SolidWorks	5/3/2016	HB

