

Lafferty Equipment Manufacturing, Inc. Installation & Operation Instructions

Model # 950832 · Fogger PLC Jazz Controller - 460 CFM

REQUIREMENTS

Electrical Rating ~ 110/120V, 50/60Hz, 20W

WEIGHT & DIMENSIONS

Single Package	
Shipping Weight	15 lbs.
Shipping Dimensions	15" x 15" x 11"



Lafferty
EQUIPMENT MANUFACTURING INC.

www.laffertyequipment.com

501-851-2820

**WARNING! READ ALL
INSTRUCTIONS BEFORE
USING EQUIPMENT!**



OVERVIEW

This control box is equipped with a 3/4" solenoid and a Jazz Satellite Controller. When the solenoid is triggered by the controller it activates the units that it is attached to. The Jazz Satellite Controller has highly flexible programming settings that can be used to regulate the operation of multiple foggers on a 24/7/365 basis.

• *NOTE: The total air CFM requirement of all the foggers connected to this controller must be less than 460 CFM, which is the air CFM capacity of the controller's 3/4 inch solenoid. (For a lower capacity of up to 180 CFM see controller model #950830.)*

SAFETY & OPERATIONAL PRECAUTIONS

- See Additional Safety Precautions included with the Electrical Control Box Installation Information
- Always consider electrical shock hazard when working with and handling electrical equipment. If uncertain, consult an Electrician. Electrical wiring should only be done by a qualified Electrician, per Local and State Electrical Codes.
- Manufacturer assumes no liability for the use or misuse of this unit.
- Wear proper respiratory protection, protective clothing, gloves and eye-wear when working with chemicals.
- Always direct the discharge away from electrical devices.
- Carefully follow chemical manufacturer's safe handling instructions and recommended precautions/practices especially when using flammable chemicals.
- For proper performance do NOT modify electrical control box.
- Disconnect electrical power to the control box prior to opening it.
- Remove any packing material from inside the control box before operating.
- **SPECIAL CAUTION: This fogger atomizes chemical into the air. Ensure that the chemical is safe to be around or the area to be fogged has been evacuated of all people and/or animals before starting fogging. Upon completion of fogging, ensure that sufficient time has elapsed for all the fog to have dissipated before returning to the area without proper respiratory protection.**

TO INSTALL (REFER TO DIAGRAM ON NEXT PAGE)

1. Mount the control box to a secure surface. It may be mounted vertically, on a wall, post or other vertical surface, or horizontally on a flat surface. Commercially available mounting hardware (not provided), appropriate to the surface material of construction, should be used to secure the control box to the surface. Mounting holes are located at the four corners of the base of the control box.
2. Do NOT connect to electricity yet.
3. Connect your air/water supply to the 3/4" solenoid in the direction of the arrow and connect the discharge to the system being "controlled".

TO OPERATE

JAZZ CONTROLLER SET-UP.

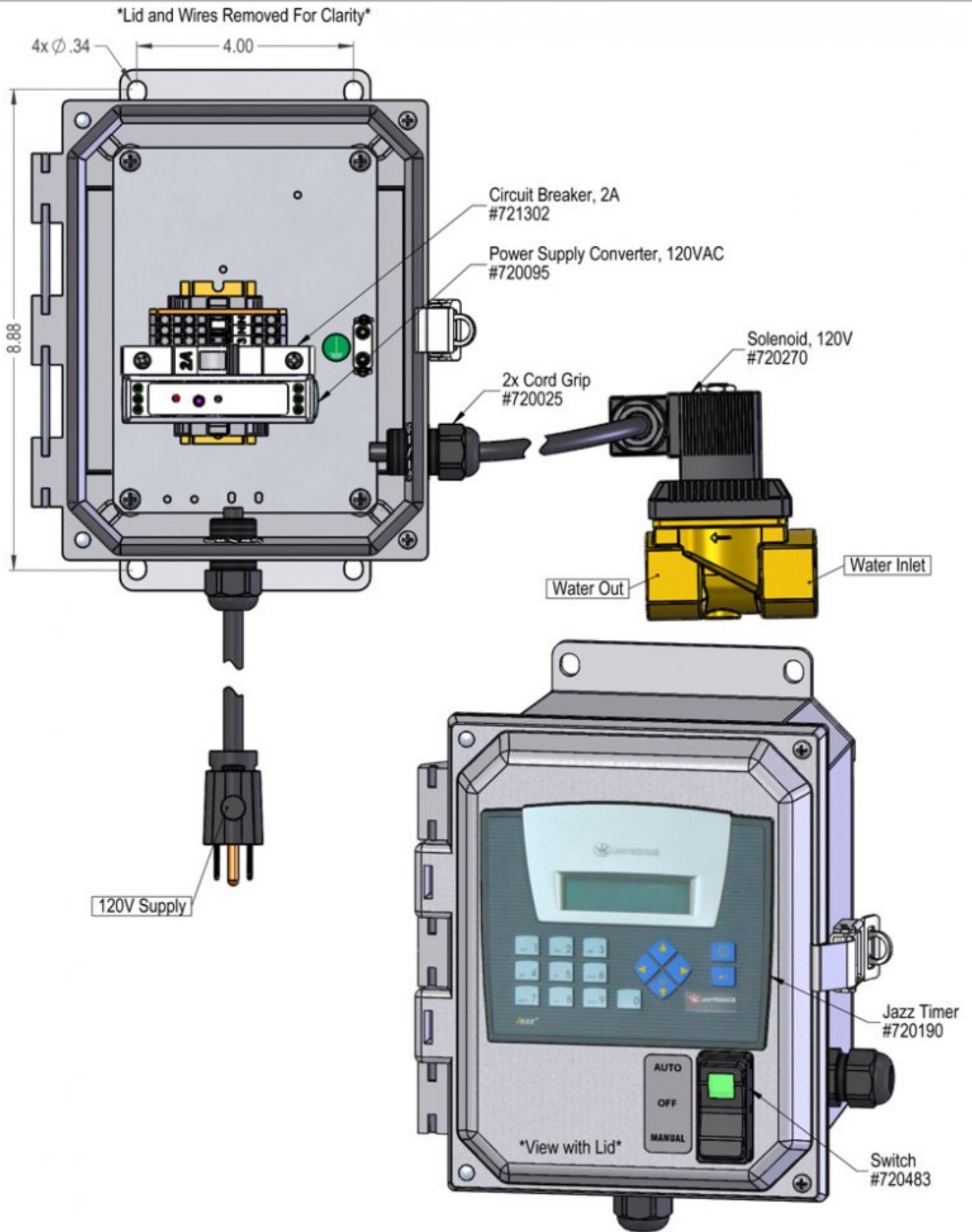
Follow the separate "Program Settings Instructions" for the Jazz Controller.
This unit requires 120V electrical supply. GFI recommended.

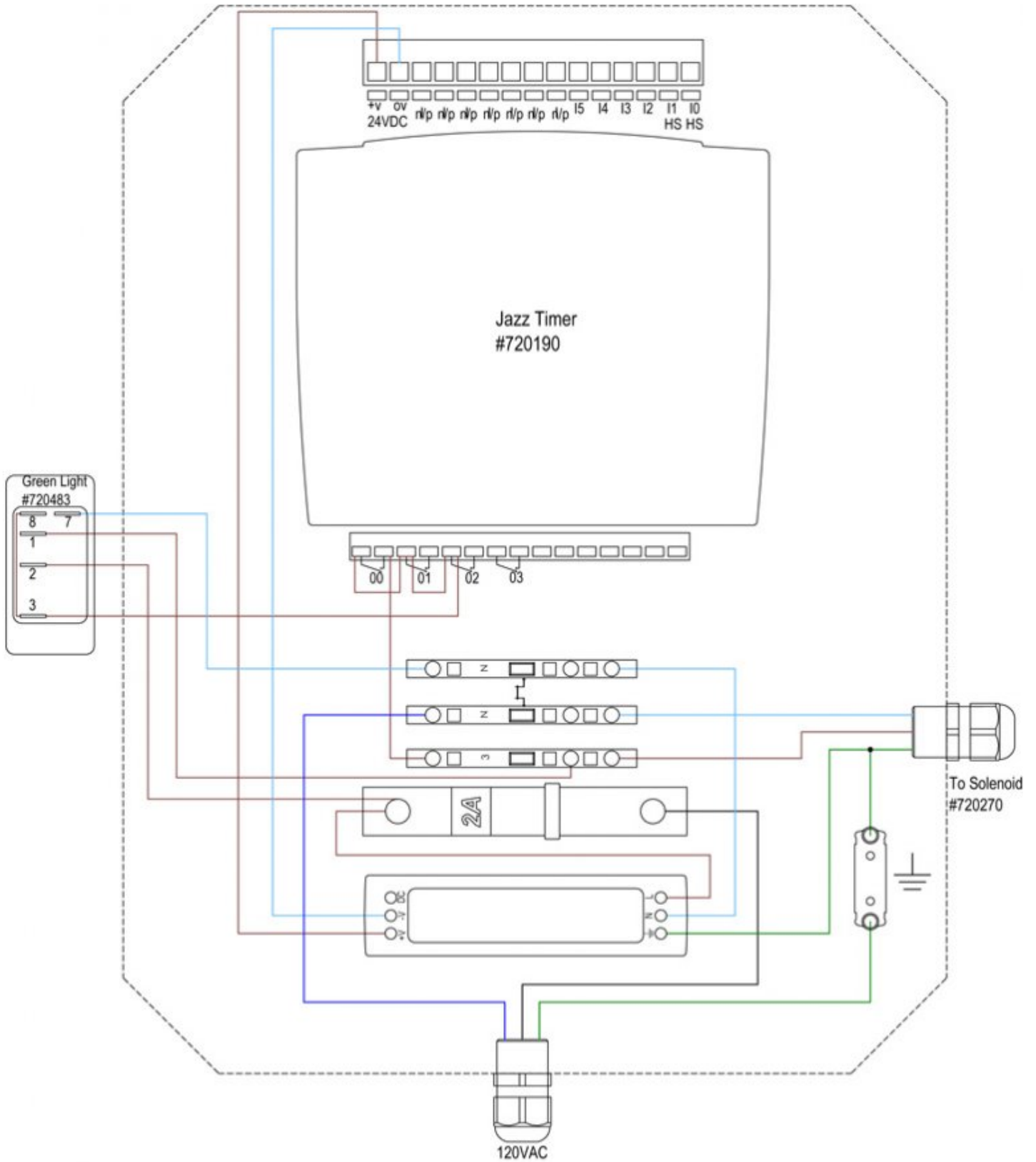
SWITCH SETTINGS (On front of Control Box)

Automatic control (AUTO) – Top of switch is depressed. Green light glows. The unit will function according to the Jazz programmed settings.

OFF – Switch is in middle position; green light is off

Momentary control (MANUAL) – Press bottom of switch. Unit is active only while switch is pressed. When released, the switch returns to the OFF position.





REVISIONS			
REV.	DESCRIPTION	DATE	APPROVED
00	950832 Added To SolidWorks	3/14/2016	HB
01	Switched Bracker & Terminal Strip	5/07/2018	HB

