

Lafferty Equipment Manufacturing, Inc.  
Installation & Operation Instructions

Model # 224201 · Jug Rack, SS, 1 Gallon/5 Liter, Rectangular "F-Style"

SPECIFICATIONS

Jug Rack, SS, 1 Gal. / 5 L., F-Style 224201



**Lafferty**  
EQUIPMENT MANUFACTURING INC.

[www.laffertyequipment.com](http://www.laffertyequipment.com)

501-851-2820

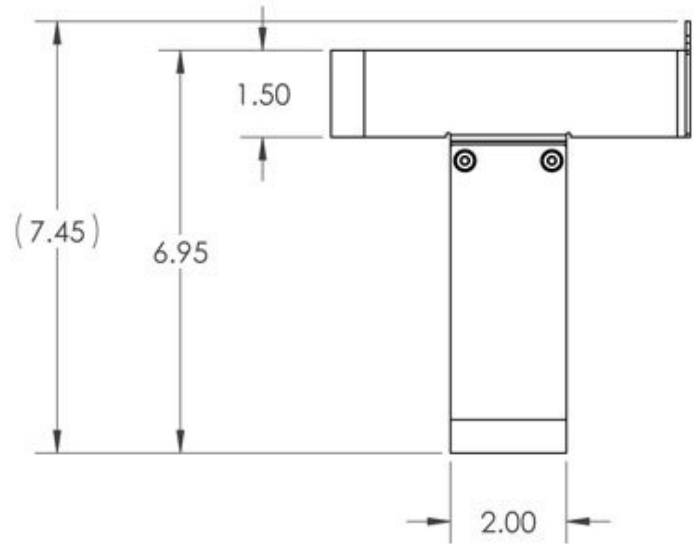
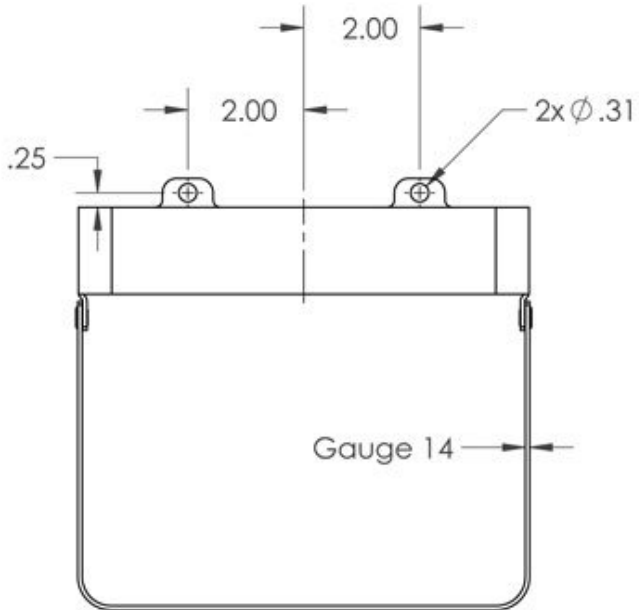
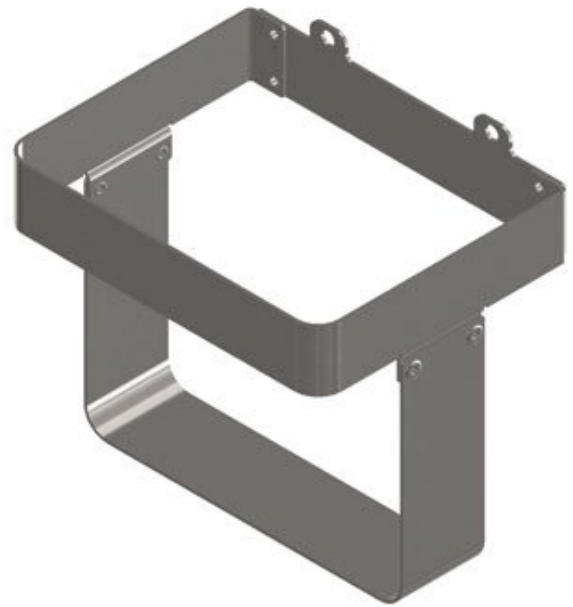
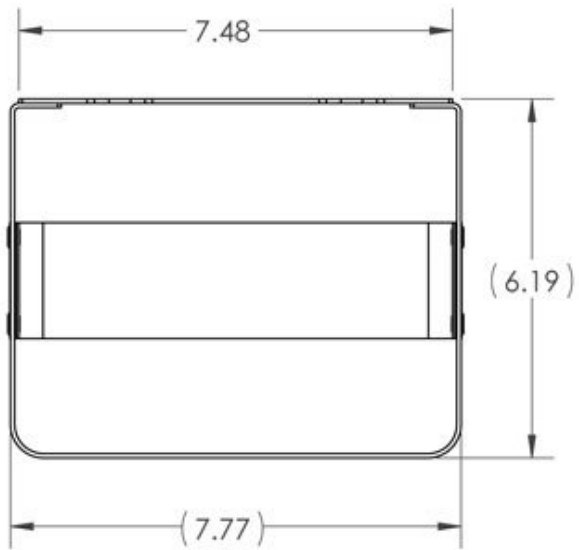
WARNING! READ ALL  
INSTRUCTIONS BEFORE  
USING EQUIPMENT!



OVERVIEW

Chemical management made simpler, neater, cleaner and safer - Lafferty. In addition to supplying spare parts for all Lafferty equipment, Lafferty offers many convenient accessories to complement its wide range of chemical application equipment.





PREVENTIVE MAINTENANCE: When the unit will be out of service for extended periods, place chemical tube(s) in water and flush the chemical out of the unit to help prevent chemical from drying out and causing build-up. Periodically check and clean chemical strainer and replace if missing.

